

Owner's Manual
And
Assembly Instructions



The Country Cottage

Wooden Playcenter - 2007

Model: 1-AP044-07



Adventure Playsets

Amarillo Texas 79119

Thank you for purchasing an Adventure Playsets Playcenter. We hope it will bring you and your children many years of safe and enjoyable backyard fun.

Table of Contents

Letter to Customer	2
Positioning Your Playcenter	3
Tools Required for Assembly	3
Helpful Installation Hints	4
Suggested Playground Surfacing	5
Operating Instructions	6
Maintenance Instructions	7
Disposal Instructions	7
CPSC Information Sheet	8
Assembly Instructions	9
Frequently Asked Questions	38
Limited Warranty	39
Warranty Claim Procedure	40
Customer Registration Card	41

Your owner's manual should be read carefully before starting assembly.



STOP...PLEASE READ!!

IF YOU HAVE ANY QUESTIONS OR ARE MISSING A PART, PLEASE DO NOT CONTACT THE RETAILER THAT YOU PURCHASED THIS PRODUCT FROM.

PLEASE CALL US DIRECTLY AT THE FACTORY, 1-800-856-4445, OUR TRAINED STAFF WILL ANSWER YOUR QUESTIONS AND OR EXPEDITE PARTS THAT YOU MAY NEED.

For the most efficient service, please log onto our website at **<http://www.adventureplaysets.com>** and register your unit as well as make an order for any missing or damaged parts.

For all international customers, please visit the following website for information on all warranty issues including where to obtain replacement parts.

<http://www.adventureplaysets.com/international>

Dear Customer:

Thank you for purchasing an Adventure Playsets Playcenter. We hope it will bring you and your children many years of safe and enjoyable backyard fun. Adventure Playsets equipment is recommended for use by **children 3 to 10 years of age**. Adventure Playsets structures are **not intended for public use**. **Adventure Playsets does not warranty any of its residential structures subjected to commercial use.**



WARNING: This Symbol points out important safety instructions which, if not followed, could endanger the personal safety of yourself and your children and/or damage your property. You **MUST** read and follow all instructions in this manual before attempting to use this playcenter.



WARNING: Children must **NOT** use this playcenter until unit has been completely assembled and inspected by an adult to insure set has been properly installed and anchored.

Please follow all recommendations below. **Failure to do so may result in the warranty being void and/or safety violations that could result in serious injury.** The following information has been provided to help you in your installation, continued satisfaction, and safe operation of your Adventure Playsets purchase.

Always keep the safety of your children in mind as your play structure is being built and as your children play on the set. Before your children play on the set please review the Operation Instructions with them to help ensure their safety.

PLEASE RETAIN THESE INSTRUCTIONS FOR FUTURE REFERENCE. KEEP THEM IN A SAFE PLACE WHERE YOU CAN REFER TO THEM AS NEEDED. IN ORDER TO PROVIDE YOU WITH THE MOST EFFICIENT SERVICE, IT IS REQUIRED THAT YOU PROVIDE US WITH THE PART NUMBERS WHEN ORDERING PARTS.

Please do **NOT** return the playcenter to the retailer from which it was purchased, without first contacting Customer Service.

General Information:

Please take time and fill out the information below. This information will be needed for warranty issues.

Date of Purchase: _____ **Date stamped on box:** _____

Manufacturer: Adventure Playsets

14201 Interstate 27

Amarillo, TX 79119

Ph. #: 1-800-856-4445

Fax: 806-622-1515

E-mail: custservice@adventureplaysets.com

Website: <http://www.adventureplaysets.com>

International Website: <http://www.adventureplaysets.com/international>

Vendor: _____

Unit Type:

Unit Name: The Country Cottage - 2007

Revision Date: 08/08/06

Unit Model Number: 1-AP044-07

Maximum Fall Height:

10'-11"







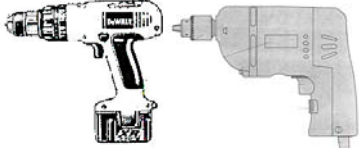



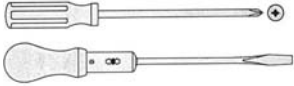

The instructions and owner's manual for your new Playcenter should be read in its entirety before assembly, to minimize problems and safety issues. We recommend reading the owner's manual thoroughly after you have identified all of the parts for your Playcenter as discussed in the Helpful Installations Hints section below.

Positioning Your Play center

1. The Playcenter is designed to be installed on a level surface **by an Adult with an Adult helper**. Try to place in a flat area of your yard to minimize ground preparation.
2. Place the equipment not less than 6 ft from any structure or obstruction such as a fence, garage, house, overhanging branches, laundry lines, or electrical wires.
3. It is a good idea to place your Playcenter in an area that is convenient for adults to watch children at play.
4. The area that you choose should be policed for glass, rocks or anything jagged or sharp that could endanger your children's safety. The surface underneath your play system can cause or prevent injuries. We have additional suggestions in the Suggested Playground Surfacing Section.
5. Do not build your playset on top of surfacing material.

Tools Required for Installation:

(These are the tools that are generally required for assembly of our playsets. These tools are not included in the playset purchase.)

		
(Level 24")	(Open end Wrenches 1/2" & 7/16")	(Nut drivers 1/2" & 9/16")
		
(Tape Measure)	(3/8" Drive Ratchet, 1/2" & 9/16" std sockets 1/2" & 9/16 deep sockets)	(Claw Hammer)
		
(3/8" Cordless Drill or Electric drill)	(3/16", 5/16" & 3/8" drill bits)	(Drill attachments: Phillips head screw 3/8" Socket Driver Torque head screw)
		
(An Adult w/an Adult helper)	(Phillips & Straight Blade screw drivers)	(Rubber Mallet –Optional)

Helpful Installation Hints

1. Depending on your experience, assembly of this Play set should take approximately 6 to 12 hours after inventory of parts. Therefore, we recommend you set aside a full day for assembly.
2. Identify all of the parts for your Playcenter. Empty each box and lay out boards so you can see each part. Your instruction book will have detailed drawings that will make it easy for you to recognize individual parts. Keep all hardware and metal parts separate from wooden pieces.
3. After everything is laid out, check carefully to ensure all parts are present. Make sure there are no broken boards.
4. Find an area to sort your hardware. It is best to open the hardware on a solid surface so that you do not lose any pieces in the grass. This will save time and familiarize you with all the different pieces in the hardware bag.
5. Important note: Wood has some natural defects such as knots, surface cracks, etc... We reject parts that are structurally defective. We use a high quality lumber in our structures; however, you should inspect each part for splinters or rough spots and sand them smooth to prevent injury.
6. After steps 1 thru 4 have been completed, read all the way through the instructions completely. Reading instructions after you have studied the parts will help you understand more clearly the installation process, and help to eliminate unnecessary mistakes.
7. Pay close attention to the diameter and length of each bolt and screw. There will be different sizes in the same bag, so they must be sorted correctly.
8. Swing hangers should be buried past the threads, so that the loop is against the swing beam. Adventure Playsets is not responsible for incorrect installations of swing hangers. Failure to properly install swing hangers may cause severe injury.
9. Never tighten hardware completely at first. It helps to have some adjustment for bolt alignment while you are attaching parts together. After everything is square, tighten each joint.
10. After the main unit is assembled it is critical that the floor is level and square. If the main frame is not level, the walls and floor will be out of square.
11. After you complete installation, make sure every bolt, screw, and nut is tight, and every board is secure. Wood will expand and contract with the seasons. Check all bolt connections and swing hangers every two weeks.
12. Place the set on level ground, not less than 6ft from any structure or obstruction such as a fence, garage, house, overhanging branches, laundry lines, or electrical wires.

READ! VERY IMPORTANT!

If you are missing parts or have questions regarding the installation of our quality product PLEASE call us directly at the factory (1-800-856-4445). Our trained staff will be happy to assist you.

Customer service hours:
Monday thru Friday 9am to 5pm
Saturday 9am to 2pm (During Season)
Central Standard Time.

E-mail: custservice@adventureplaysets.com

ATTENTION: INTERNATIONAL CUSTOMERS

We thank you for purchasing our excellent quality play equipment. We are sure that you will be satisfied with your selection. However, should you experience any problems or require any advice, do not return the item to the store, please visit the following website for information on all warranty issues including where to obtain replacement parts.

<http://www.adventureplaysets.com/international>

Suggested Playground Surfacing

- ❑ Playground equipment should never be placed on hard surfaces such as concrete or asphalt.
- ❑ Shredded bark mulch, wood chips, fine sand and fine gravel, are added as shock absorbing materials after assembly. If used properly these materials can absorb some of the impact of a child's fall.
- ❑ All surface material should extend a minimum of 6 feet in all directions around the play area.
- ❑ Do not apply playground surfacing until after the unit is completely constructed. Playset should not be built on top of surfacing.

The following chart explains the fall height in feet from which a life threatening head injury would not be expected

Critical Heights in feet (m) of Tested Materials

Material	Uncompressed Depth			Compressed Depth
	6" (152mm)	9" (228mm)	12" (304mm)	to 9" (228mm)
Wood Chips	7' (2.13m)	10' (3.05m)	11' (3.35m)	10' (3.05m)
Double-Shredded bark mulch	6' (1.83m)	10' (3.05m)	11' (3.35m)	7' (2.13m)
Engineered Wood Fibers	6' (1.83m)	7' (2.13m)	>12' (3.66m)	6' (1.83m)
Fine Sand	5' (1.52m)	5' (1.52m)	9' (2.74m)	5' (1.52m)
Coarse Sand	5' (1.52m)	5' (1.52m)	6' (1.83m)	4' (1.22m)
Fine Gravel	5' (1.52m)	7' (2.13m)	10' (3.05m)	6' (1.83m)
Medium Gravel	5' (1.52m)	5' (1.52m)	6' (1.83m)	5' (1.52m)
Shredded Tires*	10-12' (3.0-3.6m)	N/A	N/A	N/A

*This data is from tests conducted by independent testing laboratories on a 6-inch depth of uncompressed shredded tire samples produced by four manufacturers. The tests reported critical heights, which varied from 10 feet to greater than 12 feet. It is recommended that persons seeking to install shredded tires as a protective surface request test data from the supplier showing the critical height of the material when it was tested in accordance with ASTM F1292.

Operating Instructions:



NOTE: Your children's safety is our #1 concern. Observing the following statements and warnings reduces the likelihood of serious or fatal injury. Please review these safety rules regularly with your children.

1. This Playcenter is designed for the use of 7 occupants who have a combined weight **not exceeding** 492 pounds on the elevated floor, 4 occupants who have a combined weight of 351 pounds on the swing area, for a total Unit capacity of 11 occupants who have a combined weight of 843.
2. On-site adult supervision is **required**.
3. Instruct children **not** to walk close to, in front of, behind, or between moving swings or other moving playground equipment.
4. Instruct children to sit in and **never** stand on swings
5. Instruct children **not** to twist the chains and ropes and not to loop them over the top support bar, since this may reduce the strength of the chain or rope.
6. Instruct children **not** to jump from swings or other playground equipment in motion.
7. Instruct children to **not push** empty seats. The seat may hit them and cause serious injury.
8. Instruct and teach children to sit in the center of the swings with their full weight on the seats.
9. Instruct children **not** to use the equipment in a manner other than intended.
10. Instruct children to **always** go down slides feet first. Never slide headfirst.
11. Instruct children to **look** before they slide to make sure no one is at the bottom.
12. Instruct children to **never** run up a slide, as this increases their chances of falling.
13. The parents should have the children **dress appropriately** with well-fitting shoes. Loose clothing such as scarves and ponchos should not be worn. Always take off, tie up or tuck in cords and drawstrings on children's clothing. These things can get caught on playground equipment and strangle a child.
14. Instruct children **not** to climb when the equipment is wet.
15. Instruct children to **never** jump from a fort deck. They should always use the ladder, ramp or slide.
16. Instruct children to **never** crawl or walk across the top of monkey bars.
17. Instruct children to **never** crawl on top of a fort roof.
18. Verify that any suspended climbing ropes, chain, or cable are secured at both ends and that they cannot be looped back on it.
19. Instruct children **not** to attach items to the playground equipment that are not specifically designed for use with the equipment, such as, but not limited to, jump ropes, clothesline, pet leashes, cables and chain as they may cause a strangulation hazard.
20. Instruct children to **never** use Monkey Bar when swings or glider are in use.
21. Instruct children to **never** wrap their legs around swing chain.
22. Instruct children to **never** slide down the swing chain.

Maintenance Instructions:

1. Check all nuts and bolts twice monthly during the usage season and tighten as required. (But not so tight that you crack the wood) We recommend you check the swing beam and hardware every two weeks due to wood expansion and contraction. It is particularly important that this procedure be followed at the beginning of each season.
2. Remove plastic swing seats and take indoors or do not use when the temperature drops below 32 °F.
3. Oil all metallic moving parts monthly during the usage period.
4. Check all coverings for bolts and sharp edges twice monthly during usage season to be certain they are in place. Replace when necessary. It is especially important to do this at the beginning of each new season.
5. Check swing seats, ropes, cables and chains monthly during usage season for evidence of deterioration. Replacement should be made of any swing seat that has developed cracks in the plastic seats or has exposed metal in the edges of the swing seat. If there are already exposed metal inserts on the edge of the seat, immediately remove the seats and chains to prevent serious injury. Ropes, cables and chains should be removed and replaced if excessive wear is found. Contact Adventure Playsets for replacement parts.
6. For rusted areas on metallic members such as monkey bars, hand supports, brackets, etc., sand and repaint, using a non lead-based paint meeting the requirements of Title 16 CRF Part 1303.
7. Inspect wood parts monthly. The grain of the wood sometimes will lift in the dry season causing splinters to appear. Light sanding may be necessary to maintain a safe playing environment. If you are treating your Playcenter with stain regularly, it will help prevent severe checking/splitting and other weather damage.
8. We have applied a waterborne transparent stain to your unit. This is done for color only. Once or twice a year, depending on your climate conditions, you must apply some type of protection (sealant) to the wood of your unit. Prior to the application of sealant, lightly sand any "rough" spots on your set. Please note this is a requirement of your warranty.
9. Creating and maintaining the Playcenter on a level location is very important. As your children play, your Playcenter will slowly dig its way into the soil, and it is very important that it settles evenly. Make sure the play set is level and true once each year or at the beginning of each play season.

Disposal Instructions:

When the Playcenter use is no longer desired, it should be disassembled and disposed of in such a way that no unreasonable hazards will exist at the time the unit is discarded.

NOMINAL MATERIAL SIZES			
NAMED SIZE		TRUE SIZE	
Imperial (")	Metric (mm)	Imperial (")	Metric (mm)
1x6	2.5x15.3	3/4x5x1/2	1.9x14
5/4x4	3.2x10.2	1x3 1/2	2.5x9
5/4x6	3.2x15.3	1x5 1/2	2.5x14
2x2	5x5	1 1/2x1 1/2	3.8x3.8
2x3	5x7.6	1 1/2x2 1/2	3.8x6.4
2x4	5x10	1 1/2x3 1/2	3.8x9
2x6	5x15.3	1 1/2x5 1/2	3.8x14
4x4	10x10	3 1/2x3 1/2	9x9
Estimated Sizing Due to Molding of Wood			

APPENDIX A

Information on Playground Surfacing Materials:

The following information is from the *United States Consumer Product Safety Commission's Information Sheet for playground surfacing material*. Also see the following website for additional information: www.cpsc.gov/cpscpub/pubs/323.html.

X3. CONSUMER INFORMATION SHEET FOR PLAYGROUND SURFACING MATERIALS¹¹

X3.1 The U.S. Consumer Product Safety Commission (CPSC) estimates that about 100,000 playground equipment-related injuries resulting from falls to the ground surface are treated annually in U.S. hospital emergency rooms. Injuries involving this hazard pattern tend to be among the most serious of all playground injuries, and have the potential to be fatal, particularly when the injury is to the head. The surface under and around playground equipment can be a major factor in determining the injury-causing potential of a fall. It is self evident that a fall onto a shock-absorbing surface is less likely to cause a serious injury than a fall onto a hard surface. Playground equipment should never be placed on hard surfaces such as concrete or asphalt and while grass may appear to be acceptable it may quickly turn to hard packed earth in areas of high traffic. Shredded bark mulch, wood chips, fine sand or fine gravel are considered to be acceptable shock absorbing surfaces when installed and maintained at a sufficient depth under and around playground equipment.

X3.2 Table X3.1 lists the maximum height from which a child would not be expected to sustain a life-threatening head injury in a fall onto four different loose-fill surfacing materials if they are installed and maintained at depths of 6, 9, and 12 in. However, it should be recognized that all injuries due to falls cannot be prevented no matter what surfacing material is used.

X3.3 It is recommended that a shock absorbing material should extend a minimum of 6 ft in all directions from the perimeter of stationary equipment such as climbers and slides. However, because children may deliberately jump from a moving swing, the shock absorbing material should extend in the front and rear of a swing a minimum distance of 2 times the height of the pivot point measured from a point directly beneath the pivot on the supporting structure.

X3.4 This information is intended to assist in comparing the relative shock-absorbing properties of various materials. No particular material is recommended over another. However, each material is only effective when properly maintained. Materials should be checked periodically and replenished to maintain correct depth as determined necessary for your equipment. The choice of a material depends on the type and height of the playground equipment, the availability of the material in your area, and its cost.

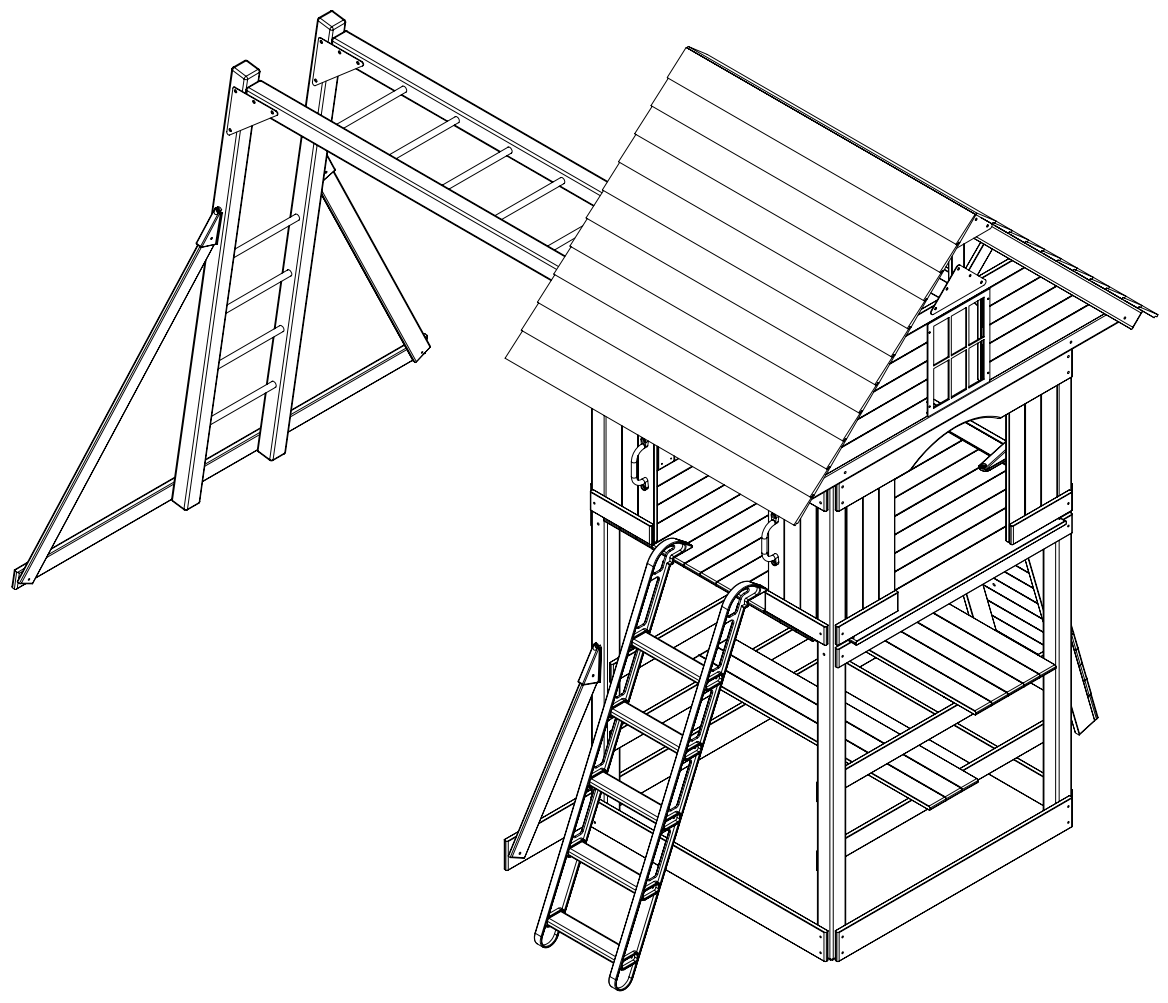
¹¹This information has been extracted from the CPSC publications "Playground Surfacing — Technical Information Guide" and "Handbook for Public Playground Safety." Copies of these reports can be obtained by sending a postcard to: Office of Public Affairs, U.S. Consumer Product Safety Commission, Washington, D.C., 20207 or call the toll-free hotline: 1-800-638-2772.

The American Society for Testing and Materials takes no position respecting the validity of any patent right asserted in connection with any item mentioned in this standard. Users of this standard are expressly advised that determination of the validity of any such patent rights, and the risk of infringement of such rights, are entirely their own responsibility.

The standard is subject to revision at any time by the responsible technical committee and must be reviewed every five years and if not revised, either approved or withdrawn. Your comments are invited either for revision of this standard or for additional standards and should be addressed to ASTM Headquarters. Your comments will receive careful consideration at a meeting of the responsible technical committee, which you may attend. If you feel that your comments have not received a fair hearing you should make your views known to the ASTM Committee on Standards, 100 Barr Harbor Drive, West Conshohocken, PA 19428.

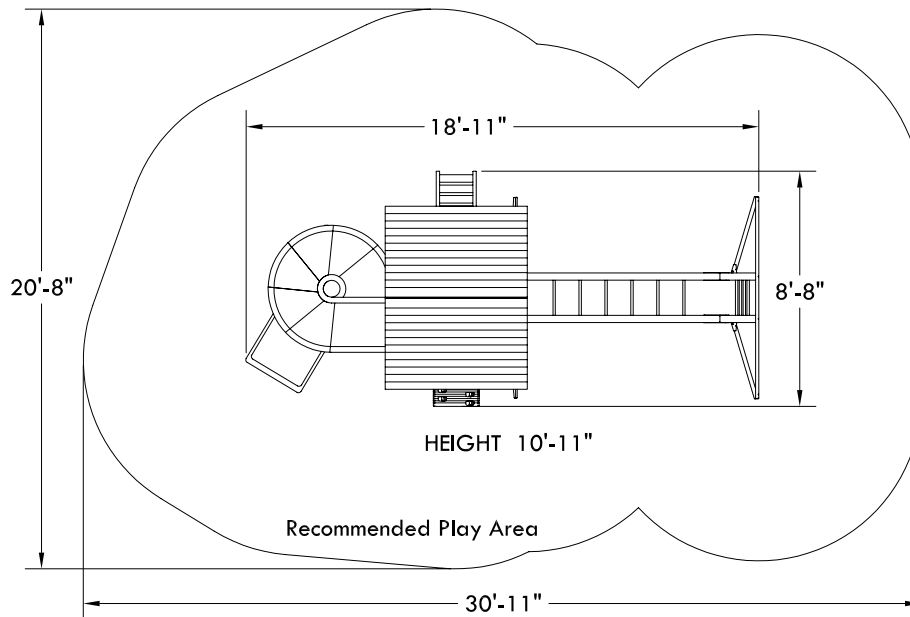
The Country Cottage

Assembly Instructions



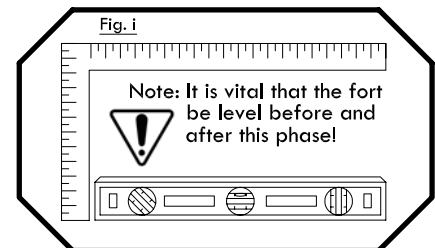
BASIC SETUP DIMENSIONS

Place the set on level ground, not less than 6ft from any structure or obstruction such as a fence, garage, house, overhanging branches, laundry lines or electrical wires.

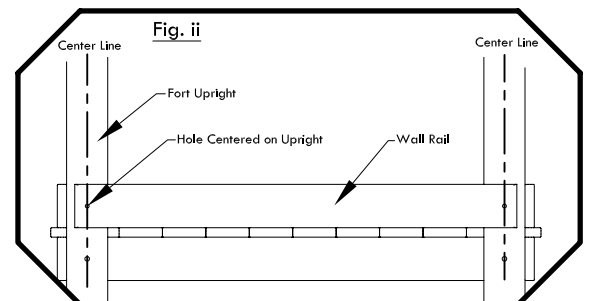


Important Assembly Notes

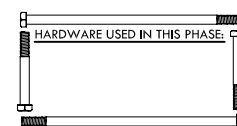
- 1) While assembling unit, take time before and after each phase to make sure Fort is level. If fort is not level, assembly will be difficult and improper assembly may result. Extra care must be taken to assure the fort is square on the phases that include this symbol in Fig i.



- 2) When installing Rails to a place on an Upright without a pre-drilled hole, make sure hole on Rail is in the center of the Upright. (see Fig. ii)



- 3) Pay close attention to this symbol, it will list all the hardware needed for the current phase. It can be a valuable aid when sorting hardware. Assembly will be made easier if hardware is sorted by phase.



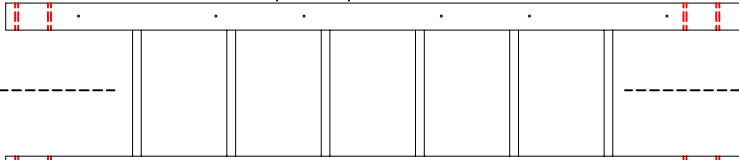
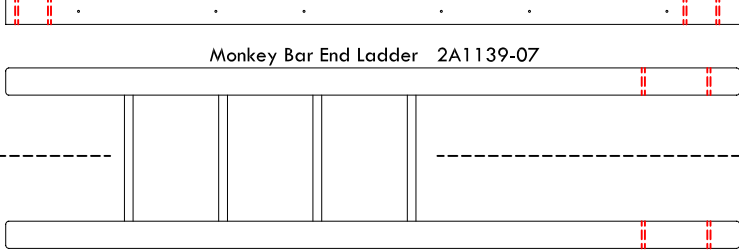
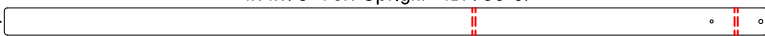
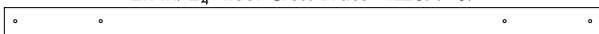
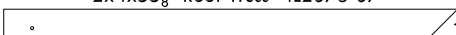
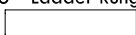
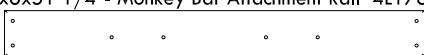
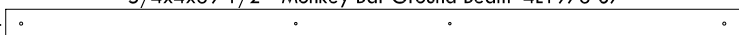
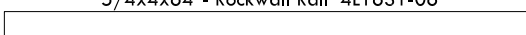

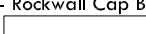
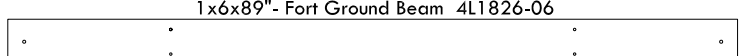




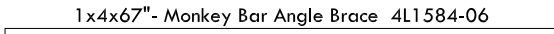
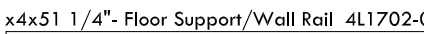

- 4) Pay close attention to make sure you are using the correct hardware in the correct places. Using incorrect hardware may result in improper assembly.
- 5) Read the steps of each phase thoroughly. The written steps may include important information not shown in the illustrations.

Parts Identification wood components


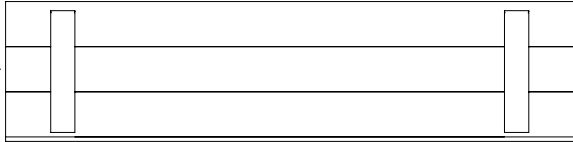
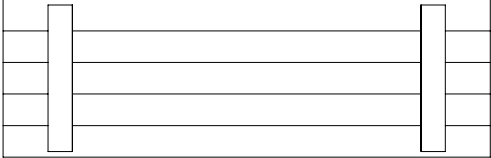

ID LETTER

DESCRIPTION

QUANTITY

A	 <p>Monkey Bar Top Ladder 2A1138-07</p>	1
B	 <p>Monkey Bar End Ladder 2A1139-07</p>	1
C	 <p>4x4x93" Fort Upright 4L1980-07</p>	4
D	 <p>2x4x72³/₄" Roof Cross Brace 4L2077-07</p>	2
E	 <p>2x4x55³/₈" Roof Truss 4L2078-07</p>	4
F	 <p>2x4x16"- Ladder Rung 4L504</p>	5
G	 <p>5/4x6x51 1/4"- Monkey Bar Attachment Rail 4L1768-06</p>	1
H	 <p>5/4x4x89 1/2"- Monkey Bar Ground Beam 4L1978-07</p>	1
I	 <p>5/4x4x64"- Rockwall Rail 4L1631-06</p>	2
J	 <p>5/4x4x51 1/4"- Floor Joist 4L1979-07</p>	2
K	 <p>5/4x4x17 1/2"- Rockwall Cap Board 4L1650-06</p>	1
L	 <p>1x6x89"- Fort Ground Beam 4L1826-06</p>	1
M	 <p>1x6x51 1/4"- Sandbox Board 4L1695-06</p>	3
N	 <p>1x6x51 1/4"- Center Arched Wall Rail 4L1733-06</p>	3
O	 <p>1x6x45 7/8"- End Floor Board 4L1817-06</p>	2
P	 <p>1x6x20 1/4"- Rockwall Board (no rock hole) 4L1657-06</p>	1
Q	 <p>1x4x67"- Monkey Bar Angle Brace 4L1584-06</p>	2
R	 <p>1x4x51 1/4"- Floor Support/Wall Rail 4L1702-06</p>	7
S	 <p>1x4x35"- Fort Angle Brace 4L1825-06</p>	2

Parts Identification wood components

ID LETTER	DESCRIPTION	QUANTITY
T-----	1x4x27 1/4"- Wall Slat/Cabin Rail 4L1424-05 []	35
U-----	1x4x23 1/2"- Wall Slat/Cabin Rail 4L1686-06 []	4
V-----	1x4x20 1/4"- Rockwall Board 4L1394-05 []	8
W-----	1x4x20 1/4"- Fort Rail/Cabin Rail/Rockwall Board (no rock hole) 4L1496-05 []	12
X-----	1x4x19"- Cabin Rail 4L1743-06 []	4
Y-----	1x4x16 1/4"- Floor Panel Cleat/Cabin Rail 4L1626-06 []	4
Z-----	1x4x13 1/4"- Wall Rail 4L1700-06 []	6
AA-----	1x4x12 3/4"- Cabin Rail 4L1742-07 []	4
AB-----	1x3x52"- Roof/Center Floor Brace 4L2118-07 []	3
AC-----	1x3x29 1/2"- Sunburst Cross Spoke 4L1762-06 []	2
AD-----	1x3x16 1/4"- Panel Cleat 4L2127-07 []	1
AE-----	1x3x13 1/2"- Sunburst Vertical Spoke 4L1761-06 []	2
AF-----	1x3x7 7/8"- Sunburst Angled Spoke/Panel Cleat 4L1760-06 []	5
AG-----	63" 4 Board - Roof Panel Assembly (Green) 2A1154-07 	4
AH-----	63" 3 Board - Roof Panel Assembly (Green) 2A1174-07 	2
AI-----	54" 5 Board - Floor/Picnic Table Panel Assembly 2A190-06 	3
AJ-----	54" 3 Board - Floor/Picnic Seat Panel Assembly 2A1090-06 	2

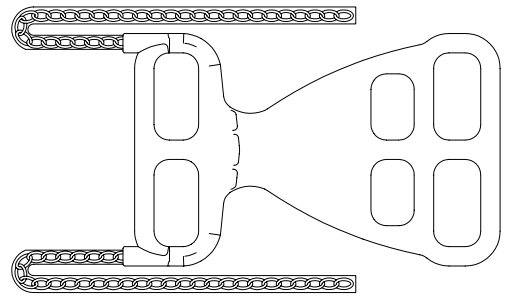
Parts Identification

Accessories

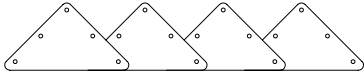
2 - 5 Rung Plastic Ladder Rail - 6P086



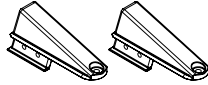
2 - Glider Arms w/chain - 2A1179-07



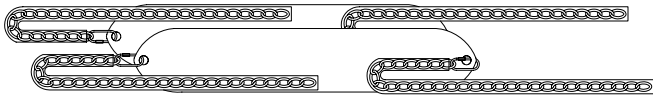
4 - Metal Triangle Roof Plate - 6M019



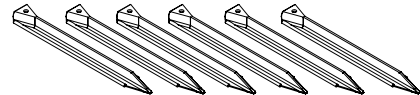
2 - Rockwall Bracket - 6P079



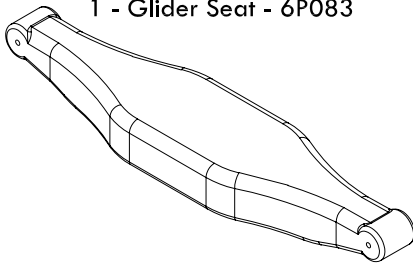
2 - Yellow Swing Seats w/chain - 2A1170-07



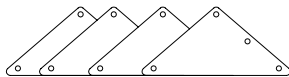
6 - Green Plastic Stakes - 6P085



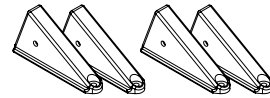
1 - Glider Seat - 6P083



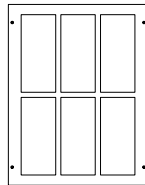
4 - Monkey Bar Plate - 6M018



4 - Angle Brace Bracket - 6P073



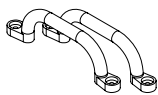
2 - Plastic Window Frame - 6P099



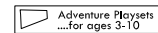
12 - Green L-Bracket - 6M021



2 - Yellow Hand Grips (pair) - 6P002



1 - Adventure Playsets Identification Sticker 6BLAB22



1 - Spiral Slide Center Post - 6M013



1 - Spiral Slide Box (not shown)

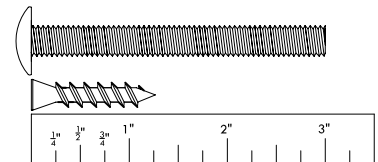
Hardware Identification

Measuring Hardware

It is very important that you get the right hardware in the correct place when assembling the unit.

NOTES:

- 1) Do not include bolt head when measuring length of bolt.
- 2) Include full length of deck screw when measuring.

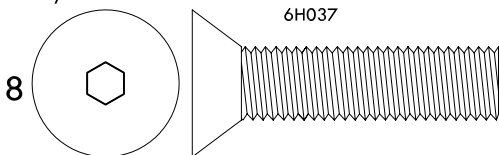


Rock Hardware Bag - 6P055

8 Rockwall Rocks (Not Shown)

3/8" Flat Head Bolts

6H037



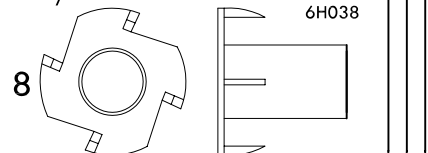
1 1/4" Deck Screws

6HS11/4

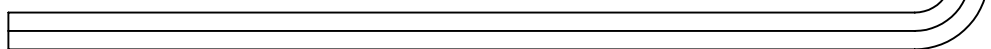


3/8" Rockwall T-Nuts

6H038



1 Allen Wrench



Hardware Identification

Fort Hardware Bag - 3H1170-07






5/16" x 6" Hex Bolts 6HHB6: 2
5/16" x 5" Hex Bolts 6HHB5: 4
5/16" x 4 3/4" Hex Bolts 6HHB43/4: 6
5/16" x 4 1/2" Hex Bolts 6HHB41/2: 6
5/16" x 4" Hex Bolts 6HHB4: 10
5/16" x 3 1/4" Hex Bolts 6HHB31/4: 2
5/16" x 3" Hex Bolts 6HHB3: 4
5/16" x 2 1/4" Hex Bolts 6HHB21/4: 2
5/16" x 2" Hex Bolts 6HHB2: 2
5/16" x 1 1/2" Hex Bolts 6HHB11/2: 4
5/16" x 1 1/4" Hex Bolts 6H023: 4
1 1/2" Tapping Screws 6HPMTT11/2: 4
3/4" Tapping Screws 6HPMTT3/4: 36
1" Deck Screws 6HS1: 26
1 1/4" Deck Screws 6HS11/4: 193
1/4" Flat Washers 6HFW1/4: 20
1/4" Split Washers 6H017: 16
5/16" Split Washers 6HSW: 6
5/16" Lock Nuts 6HLN5/16: 40
1/4" T-nuts 6H020: 16
5/16" T-nuts 6HTN: 6
Phillips/Square Combo Bit 6H064: 1
Fender Washer 6HFWF8X27: 132
2 1/2" Tapping Screws 6HPMTT21/2: 4
2" Tapping Screws 6HPMTT2: 62
1 3/4" Deck Screws 6HS13/4: 30
2 1/4" Deck Screws 6HS21/4: 100
3" Deck Screws 6HS3: 4
1/4 x 1 1/4" Machine Truss Screw 6HMST11/4: 16
Swing Hanger Lag Screw Quick Link 6HQSH: 8

Phase 1

Frame Assembly

Items needed for this phase:

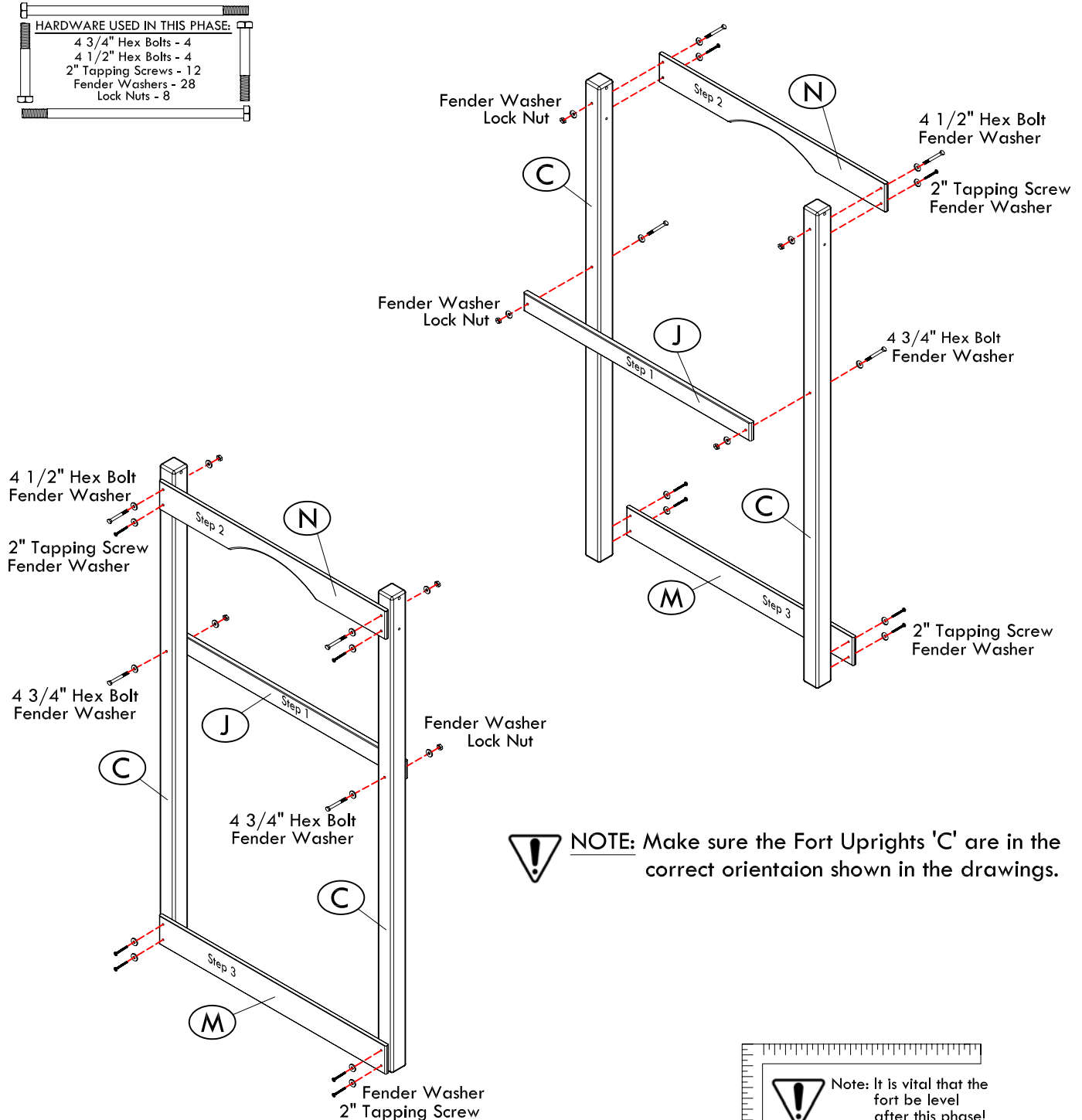
- (4) Fort Uprights 'C'
- (2) Floor Joists 'J'
- (2) Center Arched Wall Rail 'N'
- (2) Sandbox Boards 'M'

HARDWARE USED IN THIS PHASE:	
	4 3/4" Hex Bolts - 4
	4 1/2" Hex Bolts - 4
	2" Tapping Screws - 12
	Fender Washers - 28
	Lock Nuts - 8

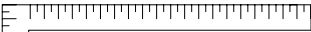
Step 1: Attach Floor Joists 'J' to the Fort Uprights 'C' with 4 3/4" hex bolts, fender washers and lock nuts as shown.

Step 2: Attach Arched Wall Rails 'N' to the Fort Uprights 'C' by using a 4 1/2" hex bolts with fender washers and lock nuts on the top holes and 2" tapping screws with fender washers through the bottom holes as shown.


Step 3: Make sure the frame is square and Attach Sandbox Boards 'M' to the bottom of Fort Uprights 'C' with (4) 2" tapping screws with fender washers each.



NOTE: Make sure the Fort Uprights 'C' are in the correct orientation shown in the drawings.



Note: It is vital that the fort be level after this phase!



Phase 2

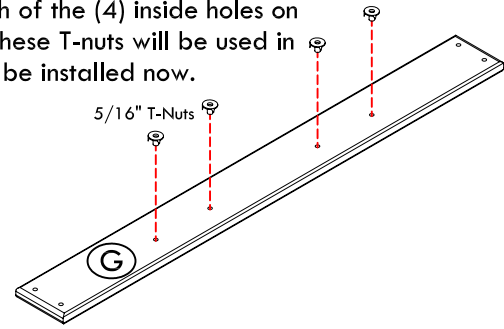
Frame Assembly

Items needed for this phase:

- (1) Monkey Bar Attachment Rail 'G'
- (1) Fort Ground Beam 'L'
- (1) Sandbox Board 'M'
- (1) Center Arched Wall Rail 'N'
- (2) Floor Supports 'R'

HARDWARE USED IN THIS PHASE:	
4	3/4" Hex Bolts - 2
4	1/2" Hex Bolts - 2
2	1/2" Tapping Screws - 2
2	1/2" Tapping Screws - 14
	Lock nut - 4
	Fender Washers - 24
	5/16" T-nuts - 4

Step 1: Hammer a $\frac{5}{16}$ " t-nut each of the (4) inside holes on Monkey Bar Rail 'G'. These T-nuts will be used in a later Phase, but must be installed now.



Step 2: Attach Floor Support 'R' to the Fort, flush with the top of Floor Joists 'J' with 2" tapping screws with fender washers (Also see Note 2 on Page 10)

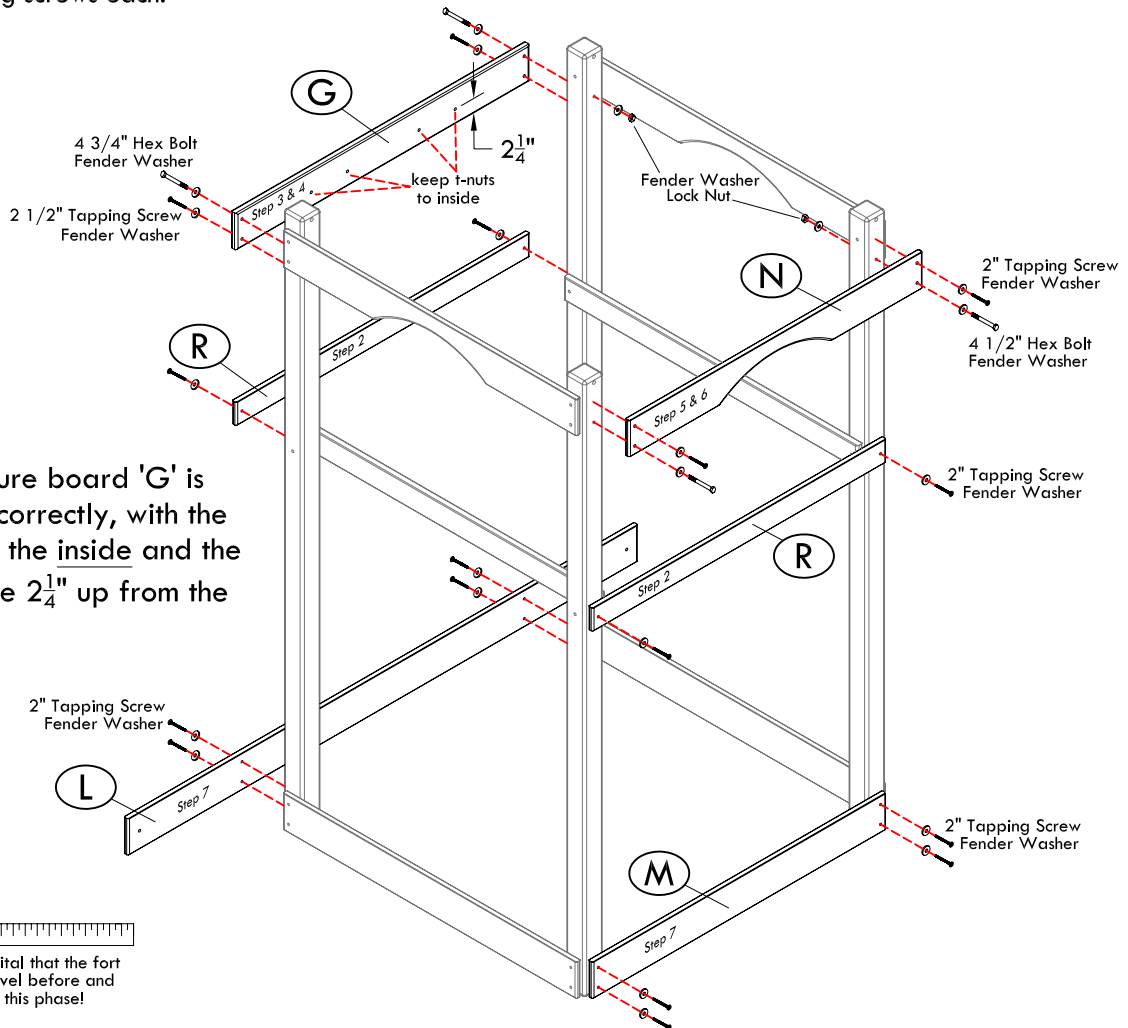
Step 3: Attach the Monkey Bar Rail 'G' to the top-back of the Fort using a $4\frac{3}{4}$ " hex bolt with fender washer through the TOP holes on 'G' and through the hole shown on Upright 'C' and into a fender washer and lock nut on the other side.

Step 4: Finish attaching Rail 'G' to fort using $2\frac{1}{2}$ " tapping screws with fender washers in the BOTTOM holes on Rail 'G'.

Step 5: Attach the Center Arched Rail 'N' to the top-back of the Fort using a $4\frac{1}{2}$ " hex bolt with fender washer through the BOTTOM holes on 'N' and through the hole shown on Upright 'C' and into a fender washer and lock nut on the other side.

Step 6: Finish attaching Rail 'N' to fort using 2" tapping screws with fender washers in the TOP holes on Rail 'N'.

Step 7: Attach Fort Ground Beam 'L' and Sandbox Board 'M' to the bottom of the Fort where shown with (4) 2" tapping screws each.



NOTE: Make sure board 'G' is placed correctly, with the t-nuts to the inside and the holes are $2\frac{1}{4}$ " up from the bottom.

Note: It is vital that the fort be level before and after this phase!

Phase 3

Fort Bracing

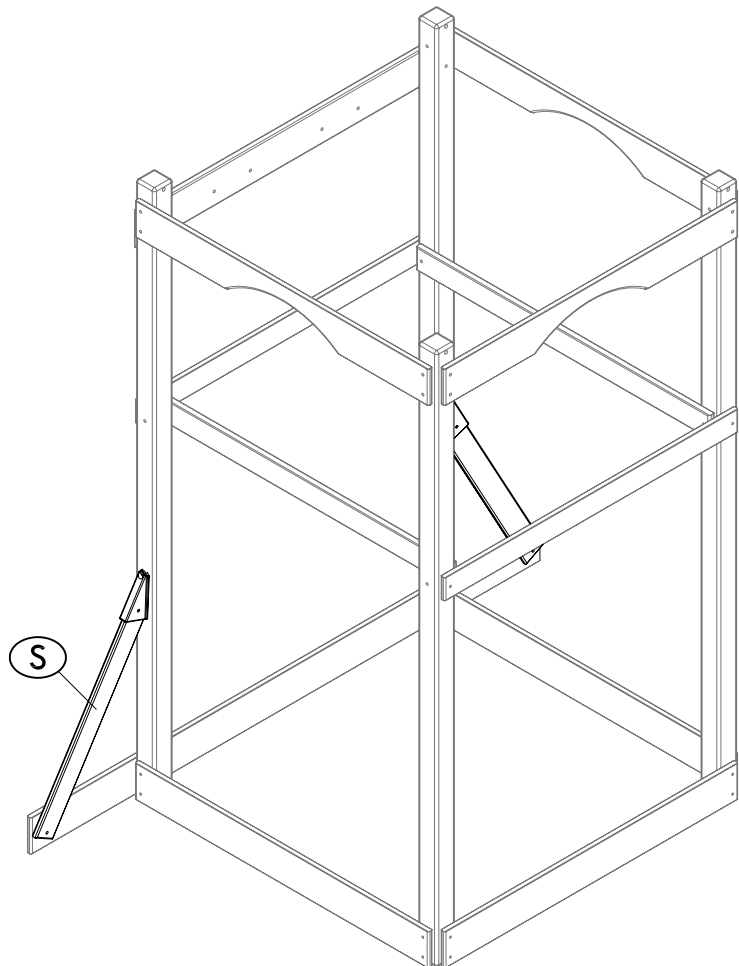
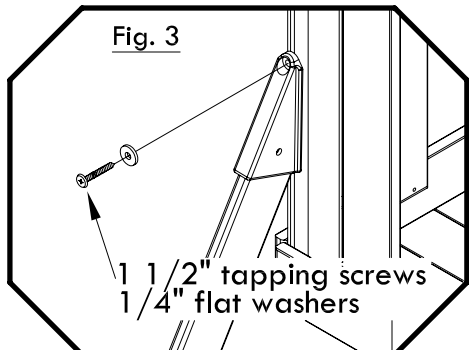
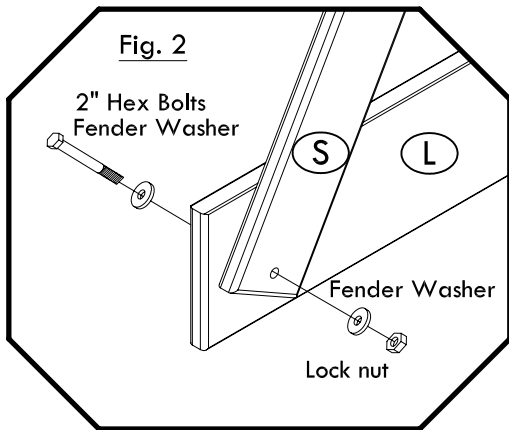
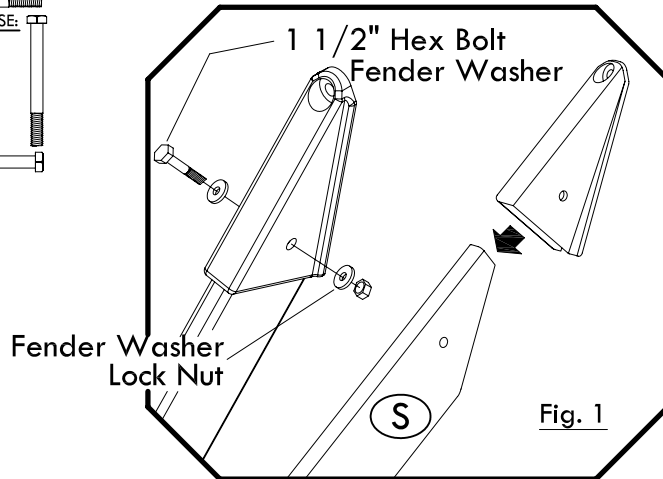
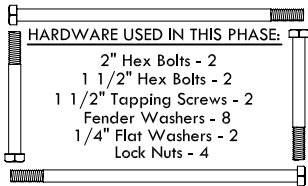
Items needed for this phase:

- (2) Fort Angle Braces 'S'
- (2) Plastic Angle Brace Brackets

Step 1: Place Angle Brace Brackets over angled cuts end of Fort Angle Braces 'S' and line up holes, then attach the Brackets to the 'S' boards with $1\frac{1}{2}$ " hex bolts, fender washers and lock nuts as shown in Fig. 1.

Step 2: Attach the square end of the Fort Angle Braces 'S' to the Fort Ground Beam 'L' with 2" hex bolts, fender washers and lock nuts as shown in Fig. 2.

Step 3: Make sure the Fort is level and square and attach the Angle Brace Brackets to the Fort Uprights 'C' with $1\frac{1}{2}$ " tapping screws and $\frac{1}{4}$ " flat washers as shown in Fig. 3.



Phase 4

Floor Attachment

Items needed for this phase:

- (2) End Floor Boards 'O'
- (1) Floor Brace 'AB'
- (2) Floor Panel Assemblies 'AI'
- (1) Floor Panel Assembly 'AJ'
- (8) L-brackets

HARDWARE USED IN THIS PHASE:	
1 1/2" Deck Screws - 8	
1 1/4" Deck Screws - 17	
3/4" Tapping Screws - 16	

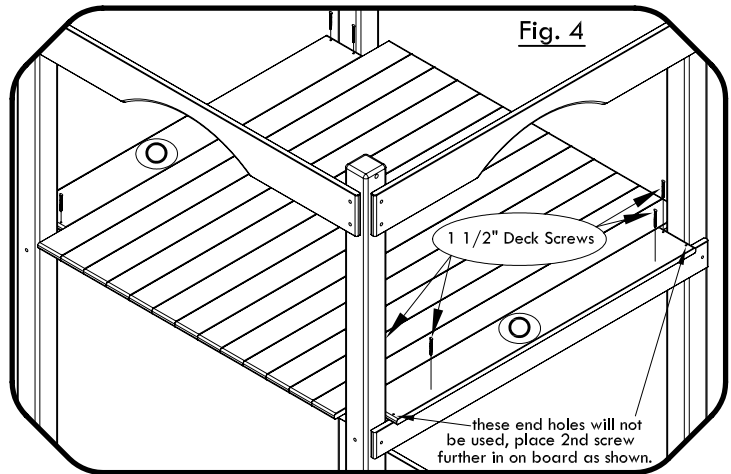
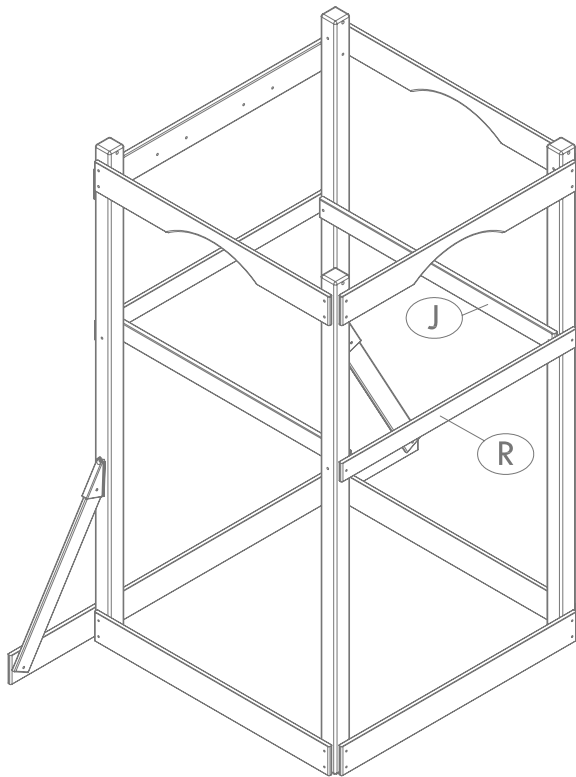
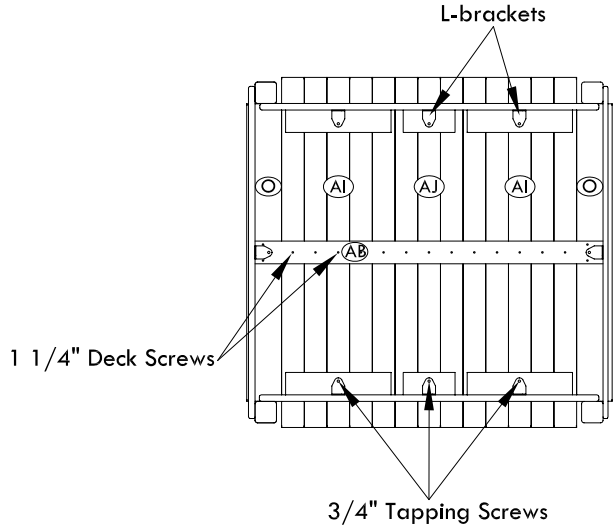
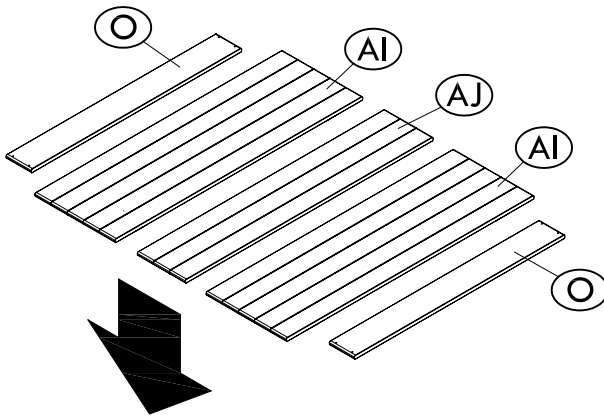
Step 1: Place End Floor Boards 'O' and Floor Panels 'AI' & 'AJ' on top of Floor Joists 'J' in pattern shown.

Step 2: Make sure the Boards are centered on the Fort, with equal overhang on all sides and attach the End Floor Boards 'O' to Floor Joists 'J' and Floor Supports 'R' with 1 1/2" deck screws as shown. (see Fig 4)

Step 3: From underneath the Fort, secure all the Floor Panels to the Floor Joists 'J' with L-brackets and 3/4" tapping screws as shown. Each panel will take (2) L-brackets and (4) tapping screws.

Step 4: From underneath the Fort, secure Center Floor Brace 'AB' to the Floor Supports 'R' with (2) L-brackets and (4) 3/4" tapping screws.

Step 5: Secure Center Floor Brace 'AB' to every floor board with 1 1/4" deck screws. You will need to use (2) deck screws on the End Floor Boards 'O' and (1) deck screw for every other floor board.

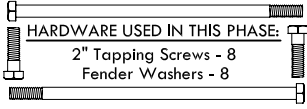


Phase 5

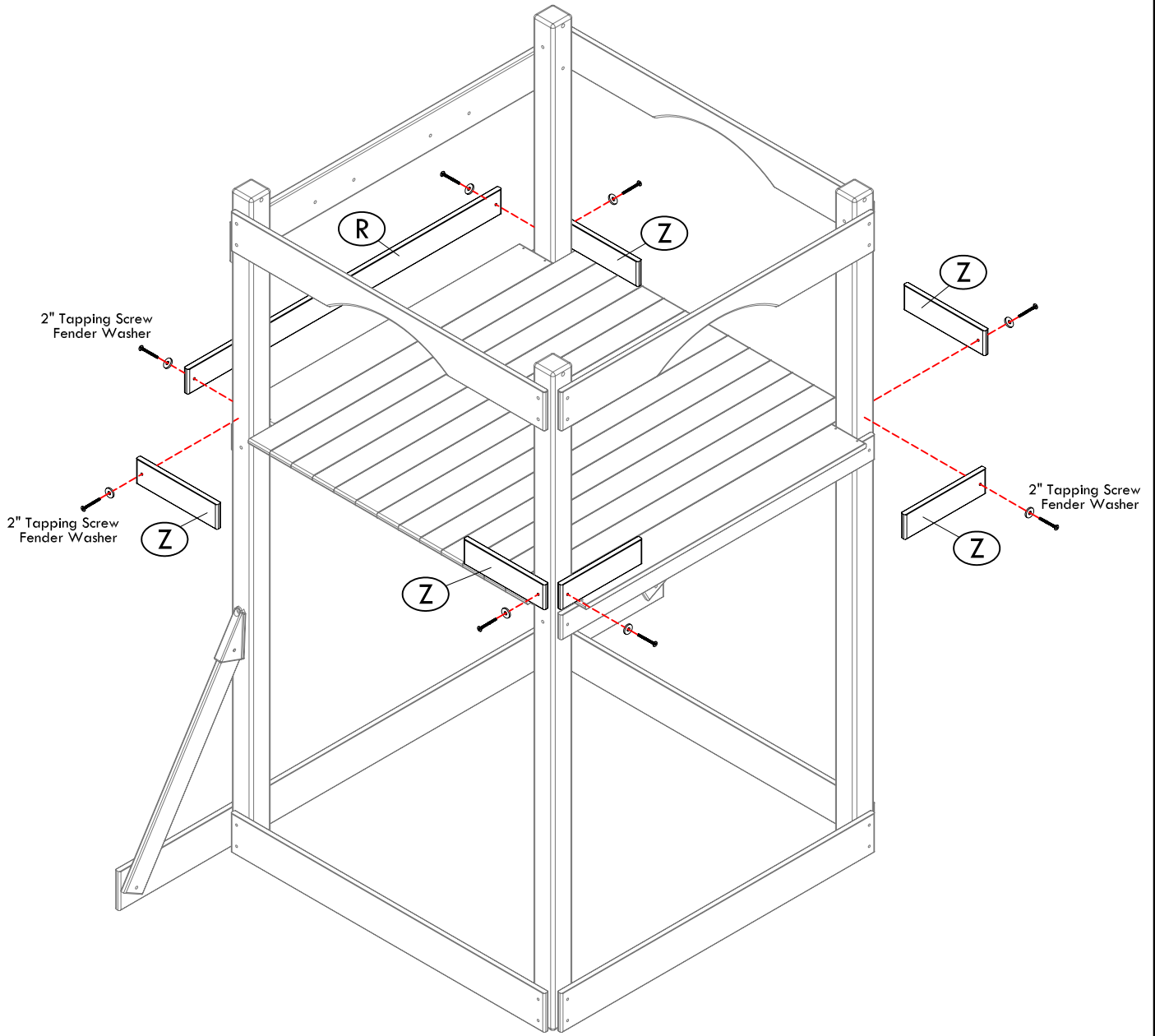
Wall Slat Attachment

Items needed for this phase:

- (1) Wall Rail 'R'
- (6) Wall Rails 'Z'



Step 1: Attach Wall Rails 'Z' & 'R' to the fort, flush with the top of the Fort Floor where shown with 2" tapping screws with fender washers.



Phase 6

Deck Ladder Assembly/Attachment

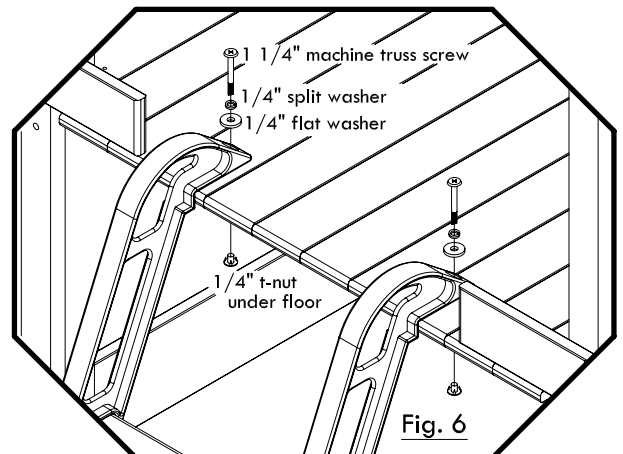
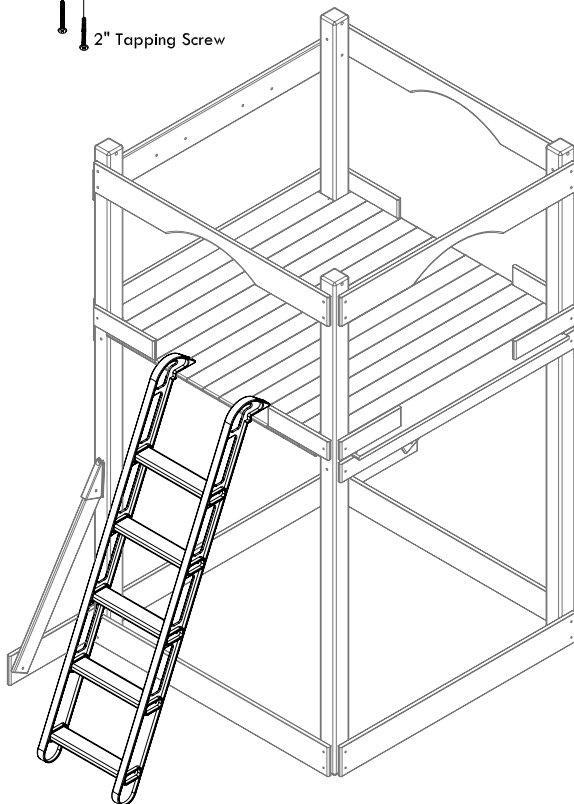
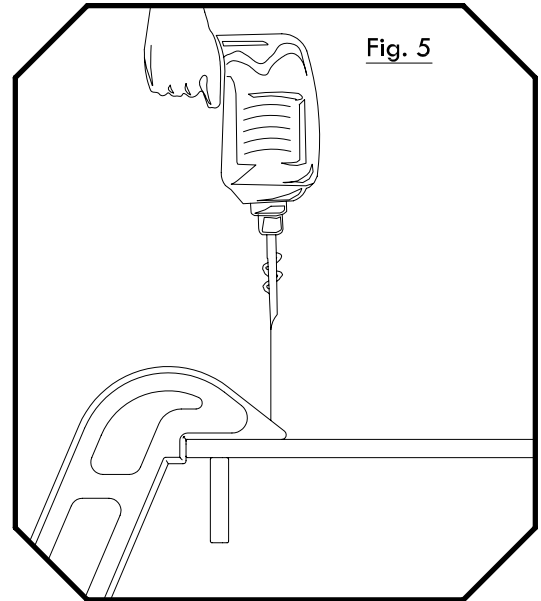
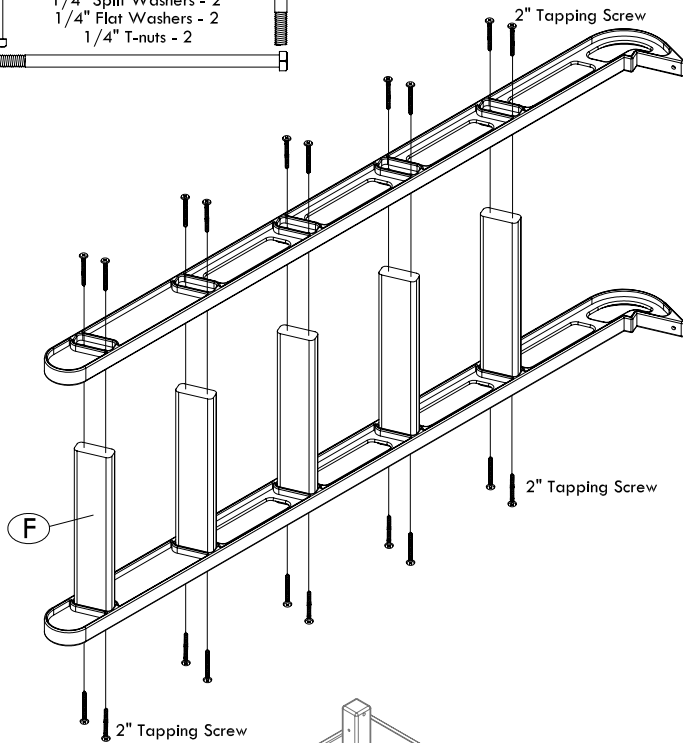
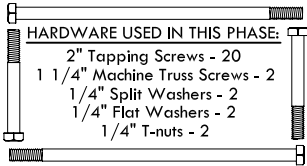
Items needed for this phase:

- (5) Ladder Rungs 'F'
- (2) Plastic Ladder Rails

Step 1: Attach (1) Deck Ladder Rail to each side of each Ladder Rungs 'F' with 2" tapping screws (no washers).

Step 2: Place Deck Ladder Assembly onto Fort, centered in the opening shown, and by using the holes in the Ladder Rails as a guide, use a drill with a $\frac{5}{16}$ " bit and drill ladder attachment holes through the Fort floor (see Fig. 5)

Step 3: Attach Deck Ladder to Fort by placing a $\frac{1}{4}$ " t-nut into drilled hole from underneath fort, and attaching with 1 $\frac{1}{4}$ " machine truss screw, $\frac{1}{4}$ " split and flat washers as shown in Fig. 6.



Phase 7

Wall Slat Attachment

Items needed for this phase:

(31) Wall Slats 'T'



Step 1: Attach Wall Slats 'T' to the Fort, resting on top of the Fort Floor, where shown with (4) 1 1/4" deck screws each. See Fig. 7 & 8.

Note: When attaching Wall Slats to the back wall of the fort, you will cover up the 5/16" t-nuts from Phase 2. This is normal, but if you have not yet installed the t-nuts, please do so now. Refer to Phase 2 - Step 1 for directions.



Fig. 7

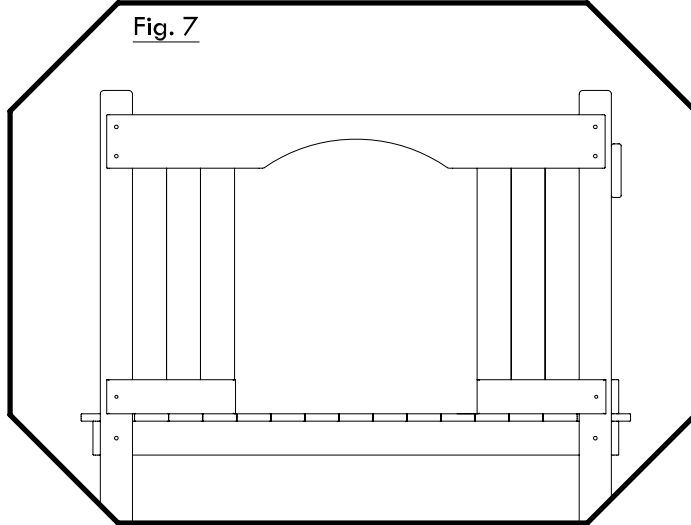
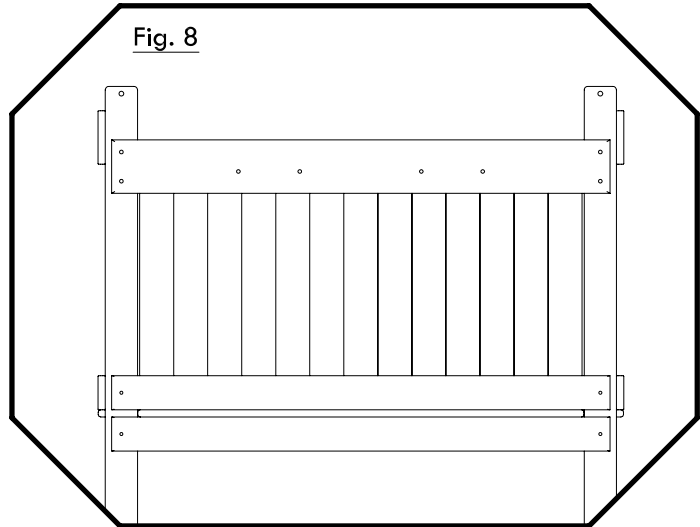
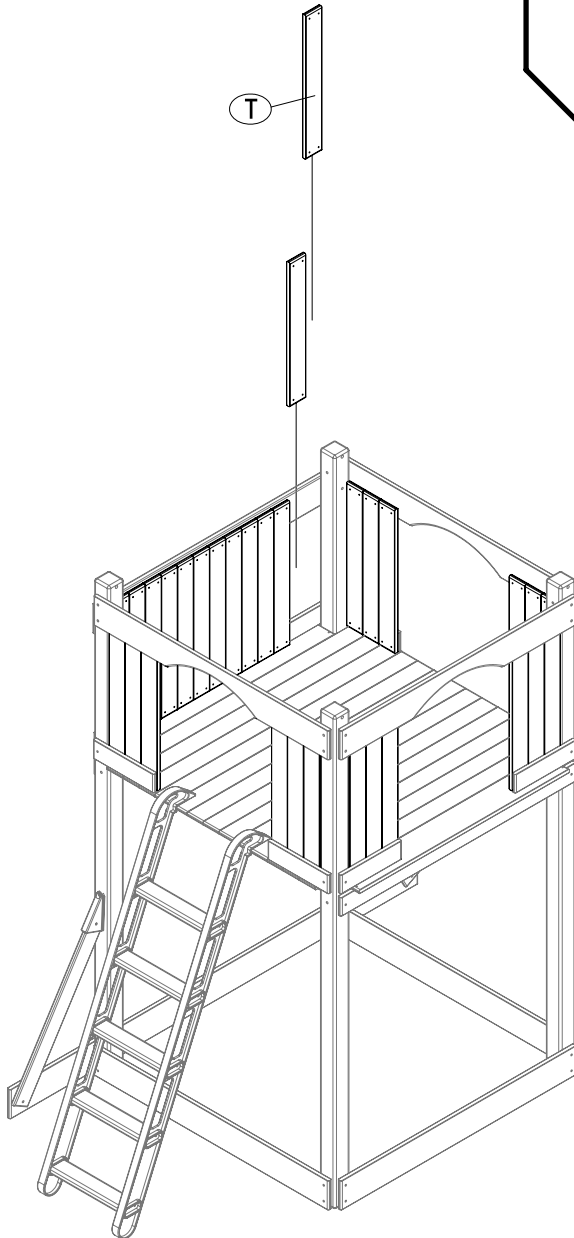


Fig. 8



Note: Due to the changing size of the wood as a result of moisture content, you may need to space your wall slats 1/16" to 1/8" apart when attaching to create the back-solid wall. It would be best to line up the boards on the wall before attaching to estimate the size of the gap needed.

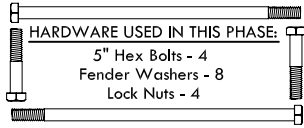


Phase 8

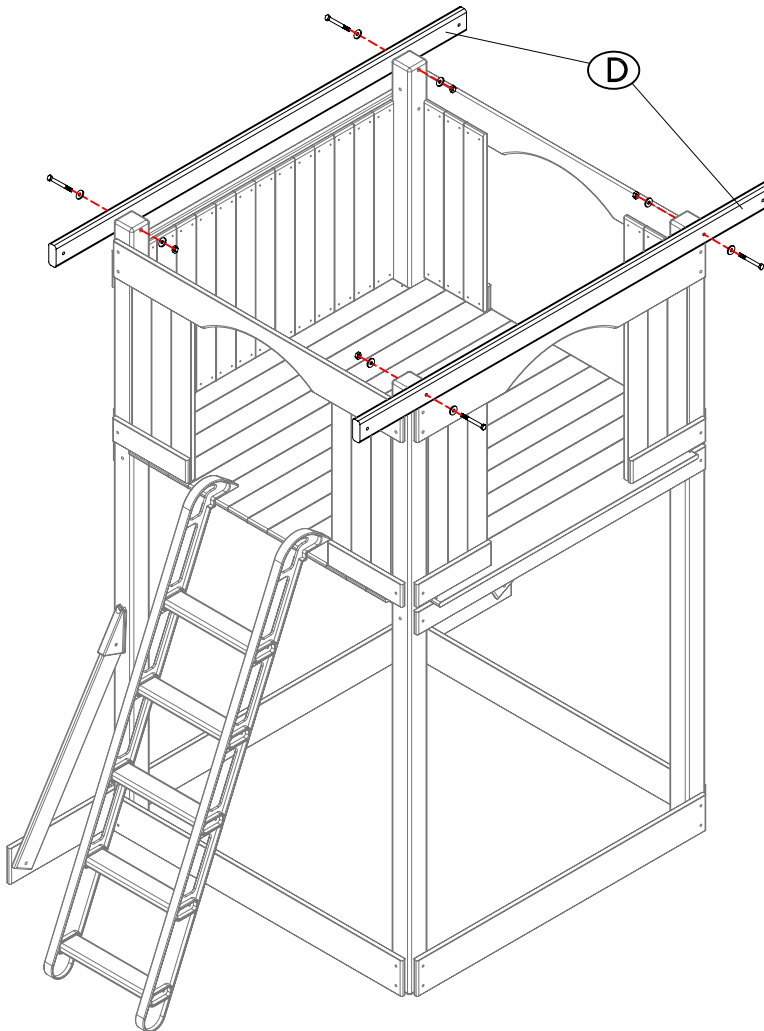
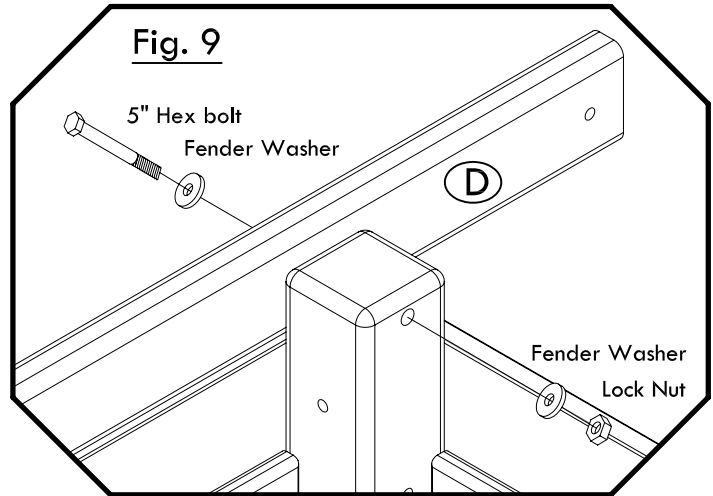
Rockwall Assembly/Attachment

Items needed for this phase:

(2) Roof Cross Braces 'D'



Step 1: Attach Roof Cross Braces 'D' to the top of Uprights 'C' shown with 5" hex bolts, fender washers and lock nuts as shown. (See Fig. 9) Do not tighten the bolts down yet, they will need to stay loose for Phase 10 adjustments.



Phase 9

Roof Assembly

Items needed for this phase:

- (4) Roof Trusses 'E'
- (4) Roof Panels 'AG'
- (2) Roof Panels 'AH'
- (2) Roof Braces 'AB'

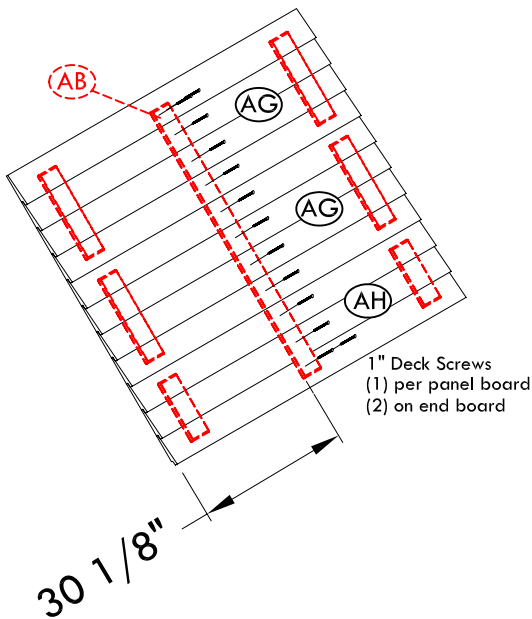


Step 1: Place Roof Brace 'AB' on a flat, level surface and place the Roof Panels 'AG' & 'AH' over Brace 'AB'.

Step 2: Center Roof Panels 'AG' & 'AH' over Roof Brace 'AB' and attach Roof Brace 'AB' to panels by running 1" deck screws through the top of the panels and into the Brace. (see figures below)

Step 3: Place Roof Trusses 'E' on a level surface, on their edges, 55⁵/₈" apart (inside dimension). Lift Roof Half from Step 2 carefully and place on the sides of Roof Trusses 'E'. Make sure the the Trusses are equal distances from the edges of the Roof Half and keep the 55⁵/₈" dimension. After you verify that the Trusses are in the correct position, Attach the roof half to the trusses with 2 1/4" deck screws as shown.

Step 4: Repeat Steps 1, 2 and 3 to assemble the second roof half.



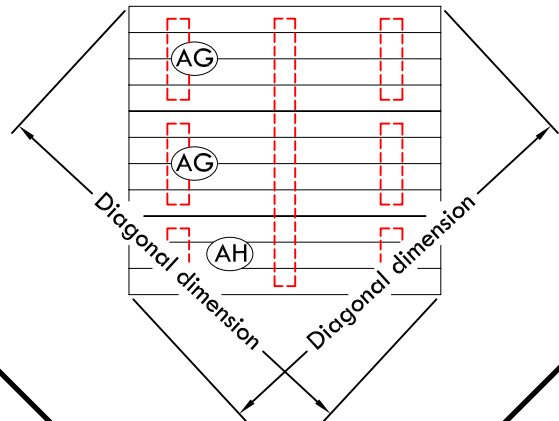
*HOW TO SQUARE YOUR ROOF HALF

Before you begin Step 2 of this phase, the roof half must be square. Heres how to make sure it is.

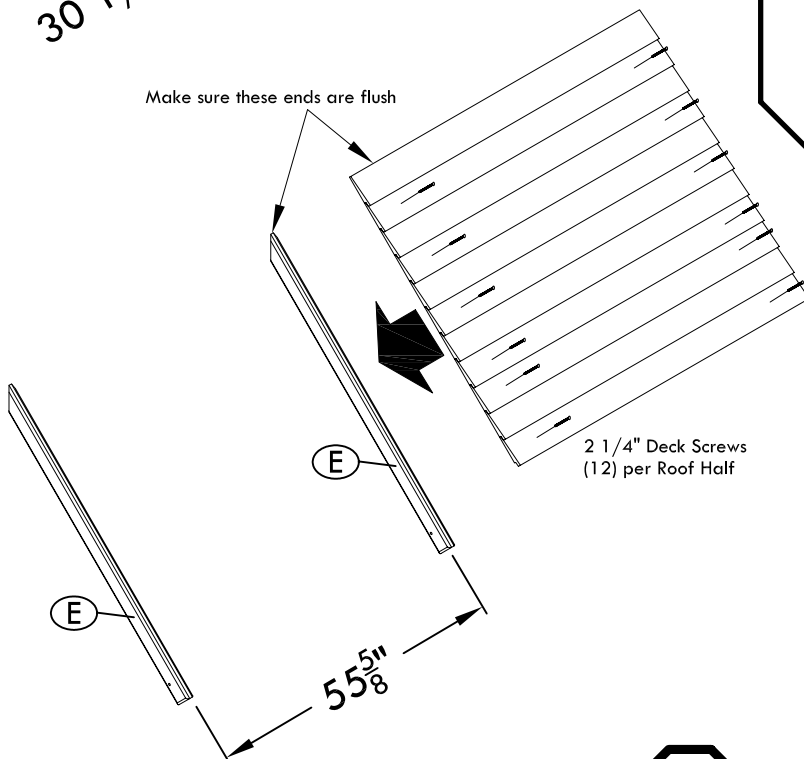
Step 1: Lay Roof Panels on a Flat Level surface and line up all edges.

Step 2: Measure the diagonal dimensions shown. These dimensions must match. If they do not, make adjustments until they do.

Step 3: Once both directional dimensions match up, your roof half is square, and you can proceed to Step 2.



Make sure these ends are flush

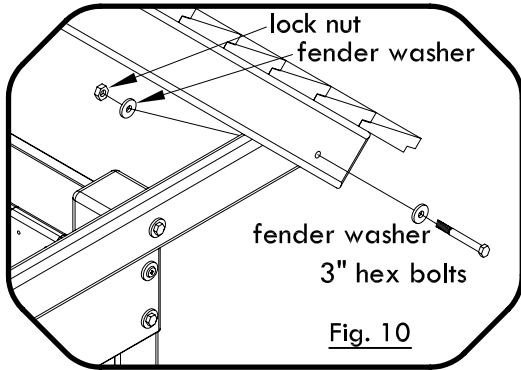
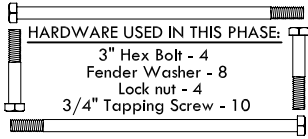


Phase 10

Roof Attachment

Items needed for this phase:

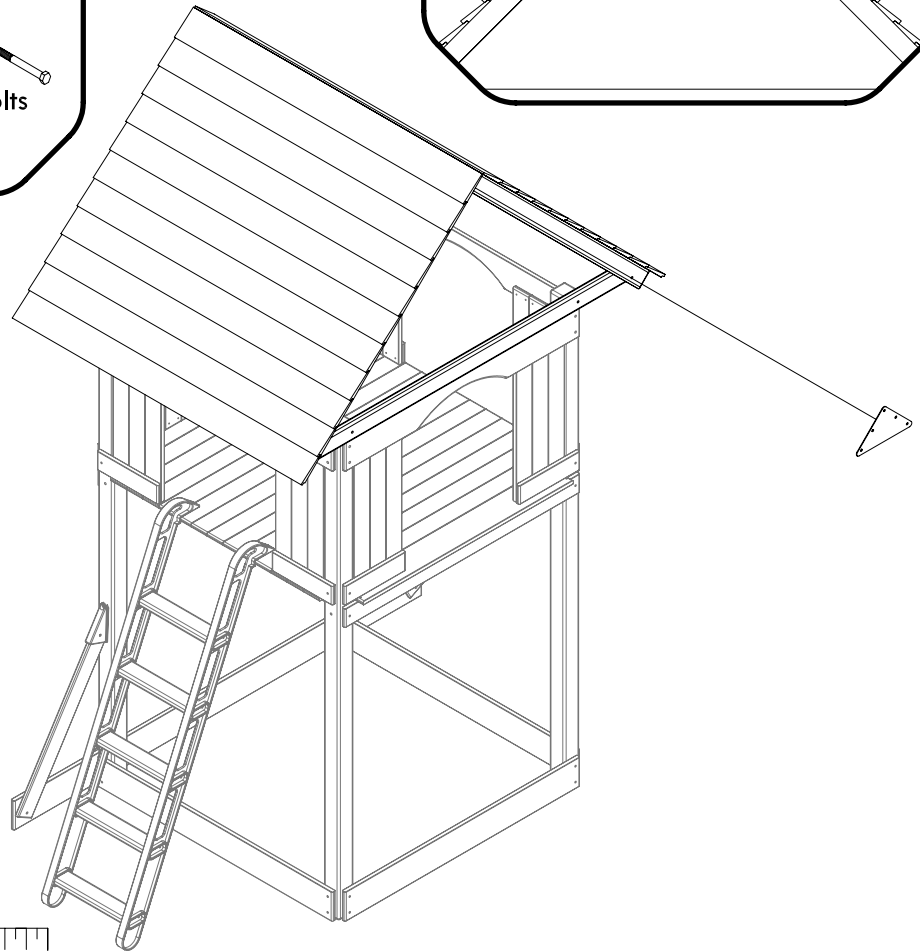
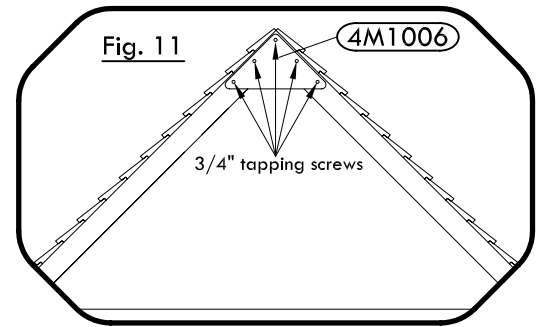
Phase 9 Roof Assembly
(2) Green Fort Plates



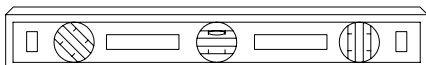
Step 1: Take one Roof Half, and by using 3" hex bolts, fender washers and lock nuts, attach the Roof Trusses 'E' to the Roof Cross Braces 'D' as shown. Repeat this step of the other Roof Half. (see Fig. 10). You may need to shove out on the Cross Braces to make them reach the Roof Trusses and clear the cleats on the Roof Panels.

Step 2: Pivot both Roof Halves to center and fasten Mending Plates to the outside of the Roof Trusses 'E' with (5) $\frac{3}{4}$ " tapping screws each. (see Fig. 11)

Step 3: Tighten Bolts, from Phase 9, that attach the Roof Cross Braces to the Fort Uprights.



Note: It is vital that the fort be level before and after this phase!



Phase 11

Sunburst Attachment

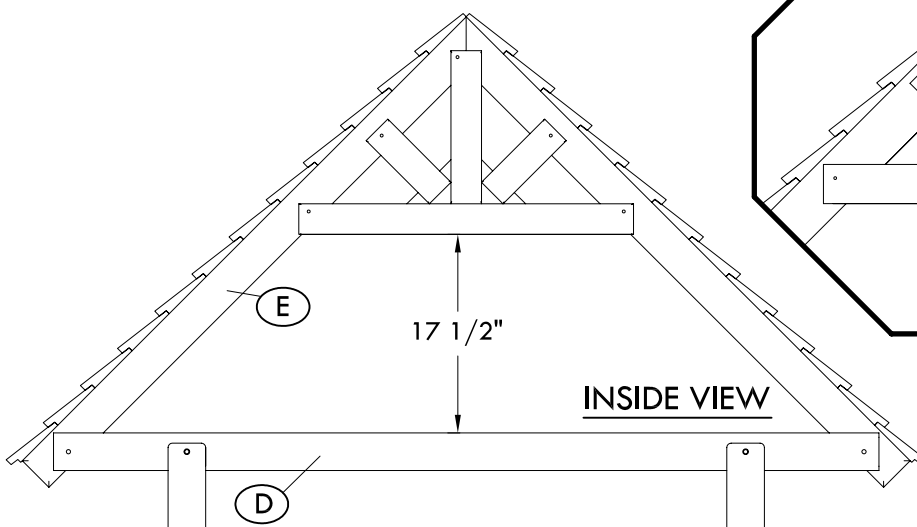
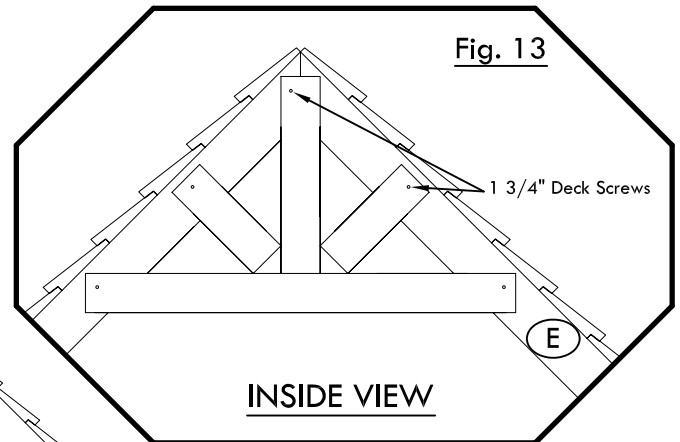
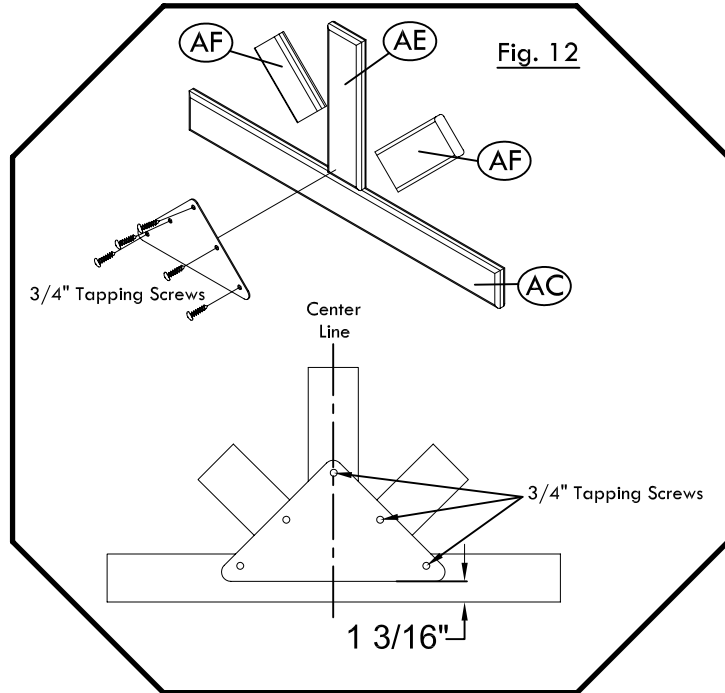
Items needed for this phase:

- (2) Sunburst Cross Spoke 'AC'
- (2) Sunburst Vertical Spoke 'AE'
- (4) Sunburst Angled Spoke 'AF'
- (2) Metal Sunburst Plates



Step 1: Set Items 'AC', 'AE' and 'AF' on flat surface as shown below. Place Metal Sunburst Plate on top and fasten with (5) $\frac{3}{4}$ " tapping screws through predrilled holes on the Plate. (see Fig. 12)

Step 2: Attach Sunburst Assembly to the inside of Roof Truss 'E' with $1\frac{3}{4}$ " deck screws $17\frac{1}{2}$ " above Cross Braces 'D' as shown. Repeat this Step for other side of Roof. (see Fig. 13)

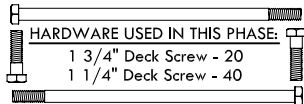


Phase 12

Window Wall Assembly

Items needed for this phase:

- (4) Roof Panel Cleat 'X'
- (4) Cabin Rails 'AA'
- (4) Cabin Rails 'Y'
- (4) Cabin Rails 'W'
- (4) Cabin Rails 'U'
- (4) Cabin Rails 'T'
- (2) Plastic Window Frames



Step 1: Window Panels Assembly:

Set items 'AA', 'Y', 'W', 'U' and 'T' on a flat surface as shown below.

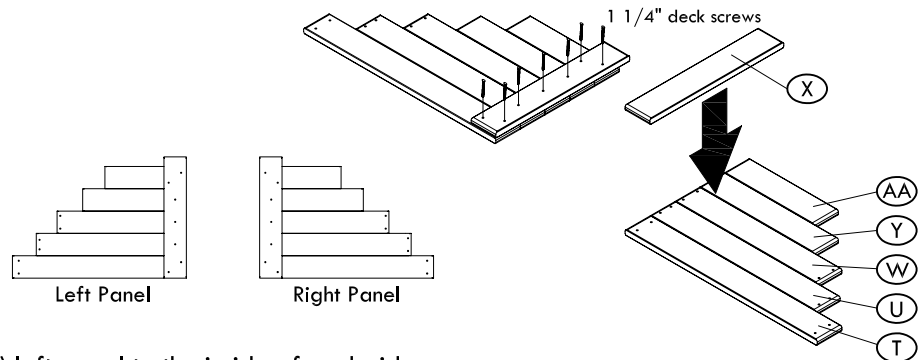
You will be making a right and left panel, so make sure that your boards are in the patterns shown.

Step 2: Window Panels Assembly:

Attach Window Wall Brace 'X', flush with edges of the wall boards, and flush with the bottom of board 'T' and attach to wall boards with 1 1/4" deck screws as shown. The Wall Brace 'X' will stick up past the top of board 'AA' approximately 1 1/2".

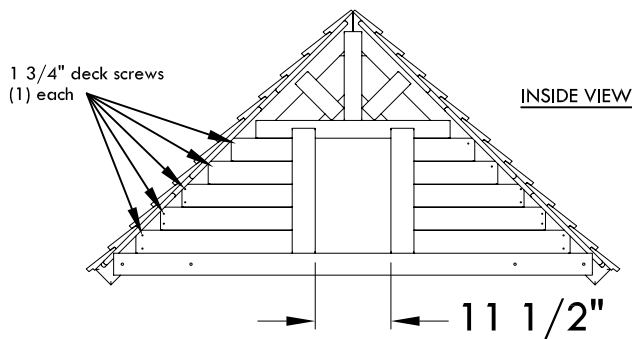
Step 3: Window Panels Assembly:

Repeat steps 1 and 2 to create two more panels. When finished, you should have 2 right panels and 2 left panels.



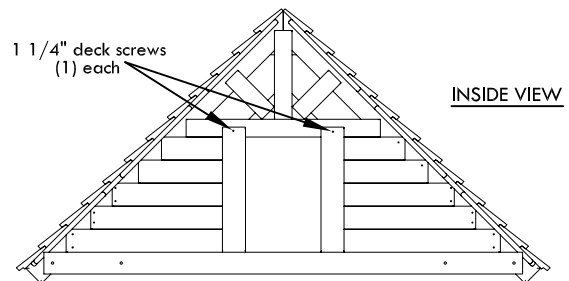
Step 4: Window Wall Attachment:

Attach (1) right panel and (1) left panel to the inside of each side of the roof and attach to Roof Trusses 'E' with (1) 1 3/4" deck screw per board as shown. Keep the Window Wall Brace to the inside of the roof. Make sure you space window opening at 11 1/2" as shown.



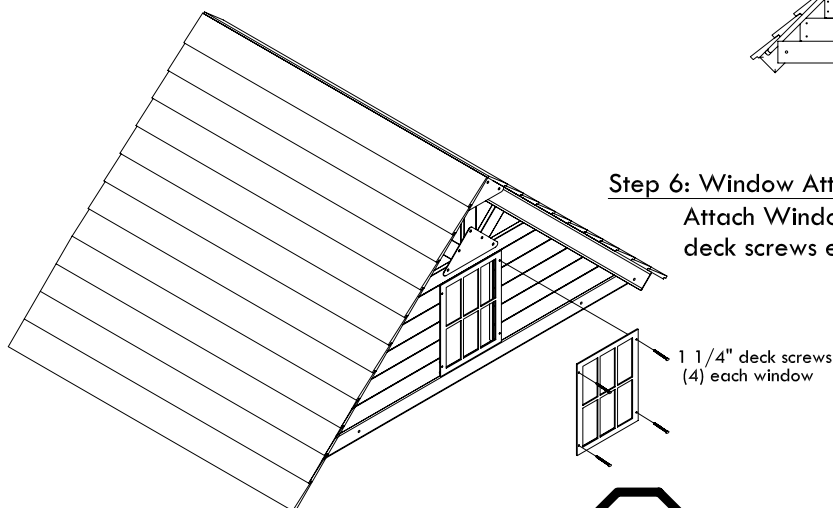
Step 5: Window Wall Attachment:

Attach Wall Panel Brace to Bottom Rail of Sunburst with (1) 1 1/4" deck screw each as shown.



Step 6: Window Attachment:

Attach Window to outside of window wall with (4) 1 1/4" deck screws each.



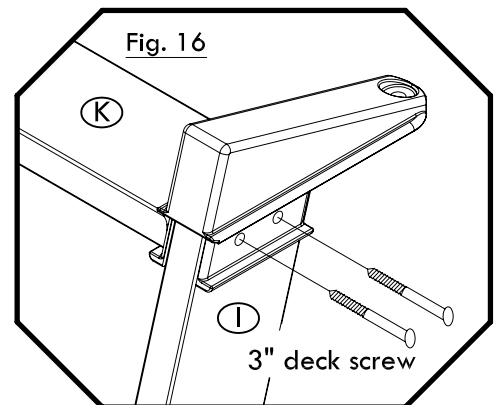
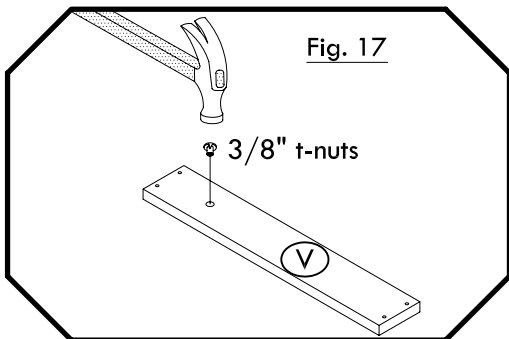
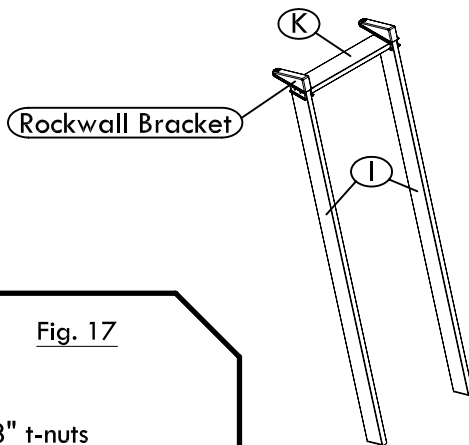
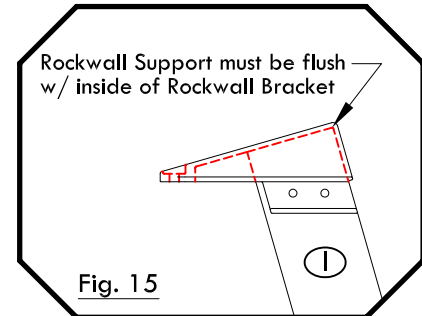
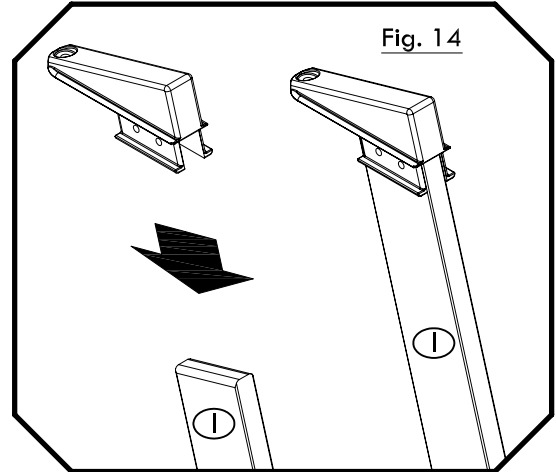
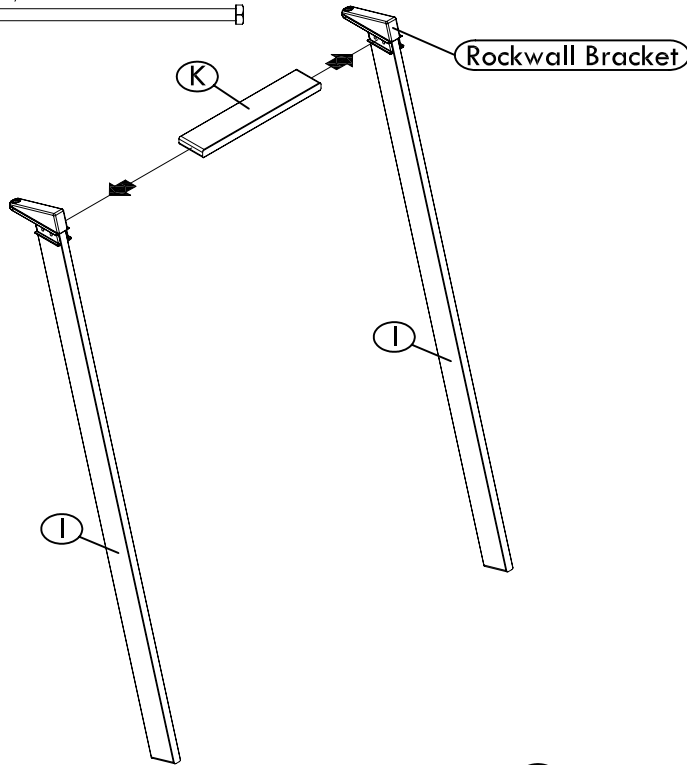
Phase 13

Rockwall Assembly

Items needed for this phase:

- (2) Rockwall Rails 'I'
- (1) Rockwall Cap Board 'K'
- (8) Rockwall Boards 'V'
- (2) Rockwall Brackets

HARDWARE USED IN THIS PHASE:
3" Deck Screw - 4
3/8" Rockwall T-nuts - 8



Phase 14

Rockwall Installation

Items needed for this phase:

- Phase 13 Assembly
 (1) Rockwall Board 'P'
 (8) Rockwall Board 'V'
 (8) Rockwall Board 'W'

HARDWARE USED IN THIS PHASE:	
1	1/4" Machine Truss Screw - 2
1	1/4" Split Washer - 2
1	1/4" Flat Washer - 2
1	1/4" T-nut - 2
2	1/4" Deck Screws - 68
1	1/4" Deck Screws - 8
3	3/8" Flathead Rockwall Bolts

Step 1: Attach (1) Rockwall Board (no rock hole) 'W' to Rockwall Rails 'I', flush with the top of the Cap Board 'K' and "Lip" on rockwall bracket, with (4) 2 1/4" deck screws through pre-drilled holes.

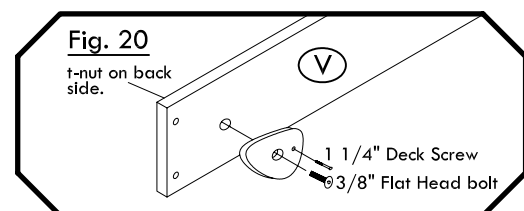
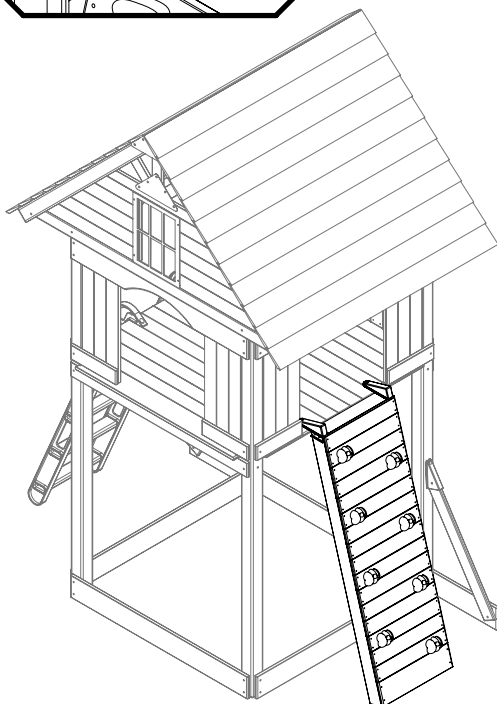
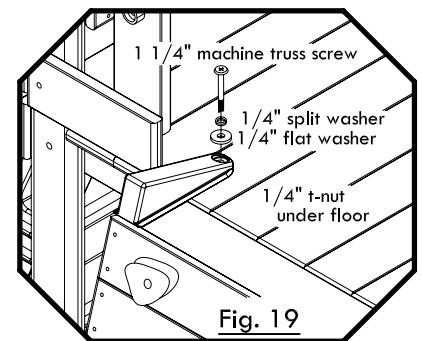
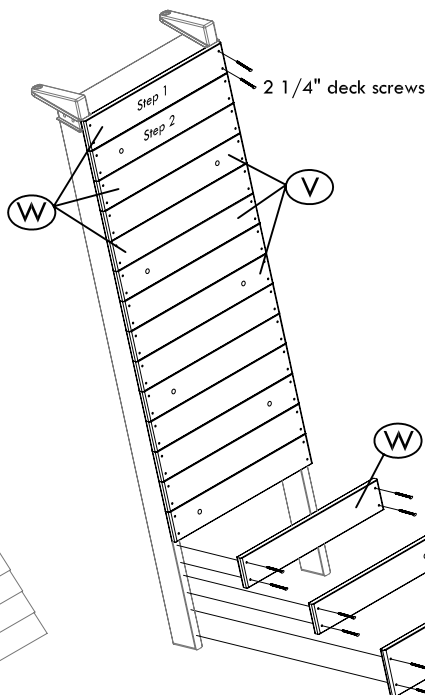
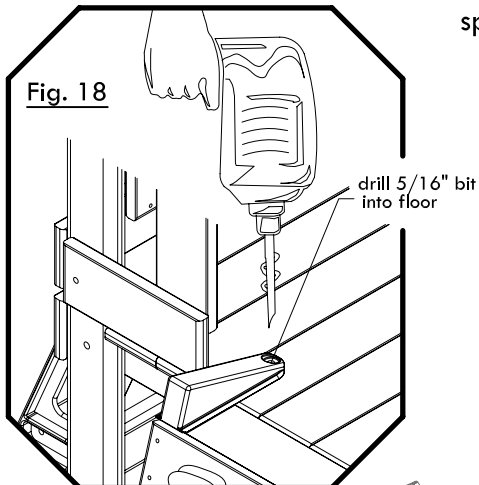
Step 2: Attach remaining Rockwall Boards 'V' & 'W' to the Rockwall Rails 'I', one flush against the other, placed so that the 'V' boards alternate with the 'W' boards and the rock holes alternate sides and DO NOT form a straight line. The boards will attach with (4) 2 1/4" deck screws.

Step 3: Attach Rockwall Board 'P' to the bottom of Rockwall Rails 'I', flush against the last rockwall board, with (4) 2 1/4" deck screws.

Step 4: Using the 3/8" flathead bolts and 1 1/4" deck screws, attach Climbing Rocks to Rockwall Boards as shown. (see Fig. 20)

Step 5: Place Rockwall Assembly centered in opening shown, and by using the Brackets as a guide, drill 5/16" attachment holes through the fort floor. (see Fig. 18)

Step 6: Attach Rockwall Assembly to Fort by placing a 1/4" t-nut into drilled hole from underneath fort and attaching with 1 1/4" machine truss screw, 1/4" split washer and 1/4" flat washer. (see Fig. 19)



Phase 15

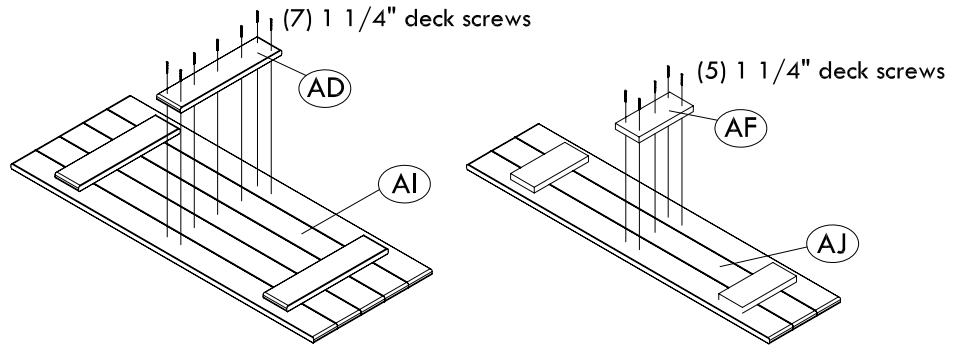
Picnic Table Installation

Items needed for this phase:

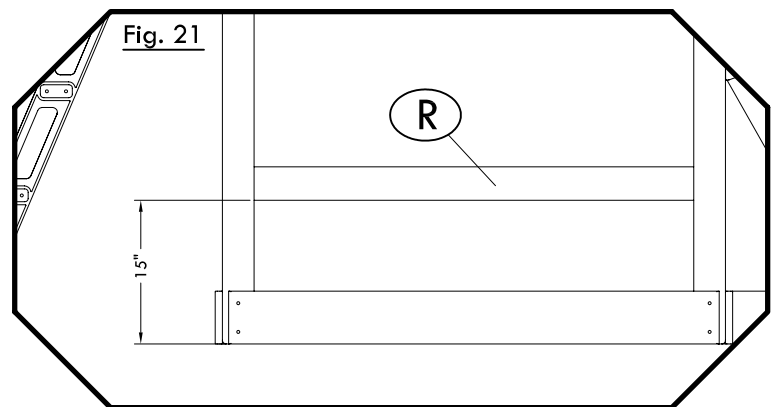
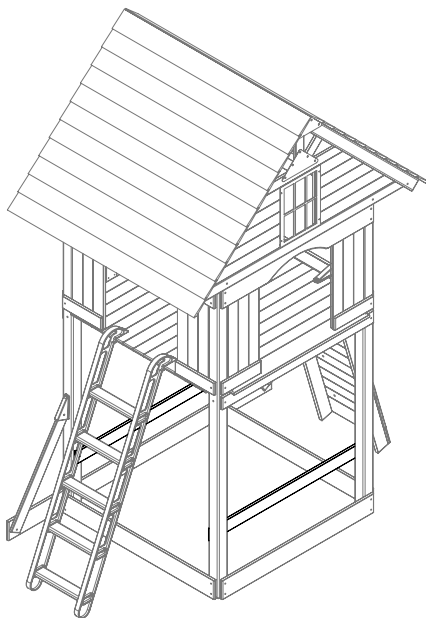
- (1) Picnic Table Panel 'AI'
- (1) Picnic Table Panel 'AJ'
- (1) Panel Cleat 'AD'
- (1) Panel Cleat 'AF'
- (2) Wall Rails 'R'

HARDWARE USED IN THIS PHASE:	
2" Tapping Screws - 4	
Fender Washers - 4	
1 1/2" Deck Screws - 4	
1 1/4" Deck Screws - 12	

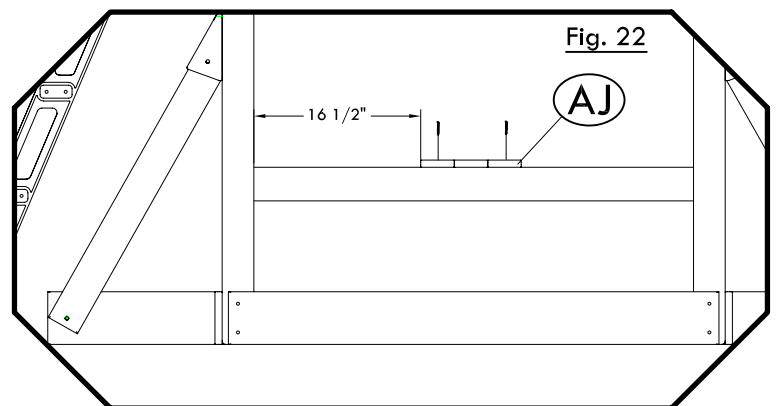
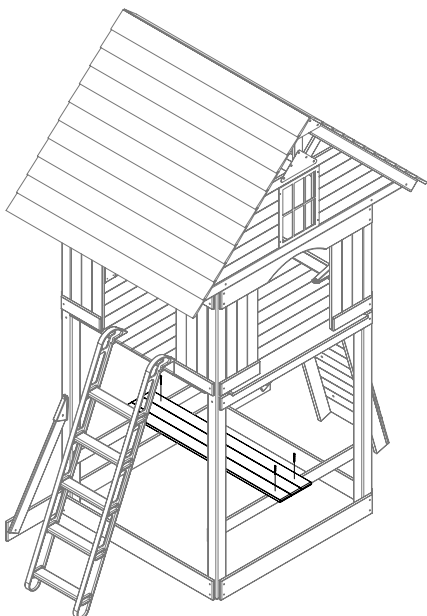
Step 1: Attach Panel Cleat 'AD' to the center of Picnic Panel 'AI' and Panel Cleat 'AF' to the center of Picnic Panel 'AJ' with 1 1/4" deck screws as shown.



Step 2: Attach (2) Wall Rails 'R' to the Fort, 15" above the bottom of the uprights with 2" Tapping Screw & Fender Washers as shown in Fig 21.



Step 3: Attach (1) Floor Panel 'AJ' to the top of Wall Rails 'R', 16 1/2" from the inside edge of the Fort Uprights, with (4) 1 1/2" deck screws as shown.



Phase 16

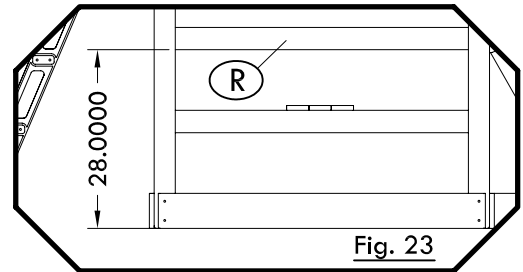
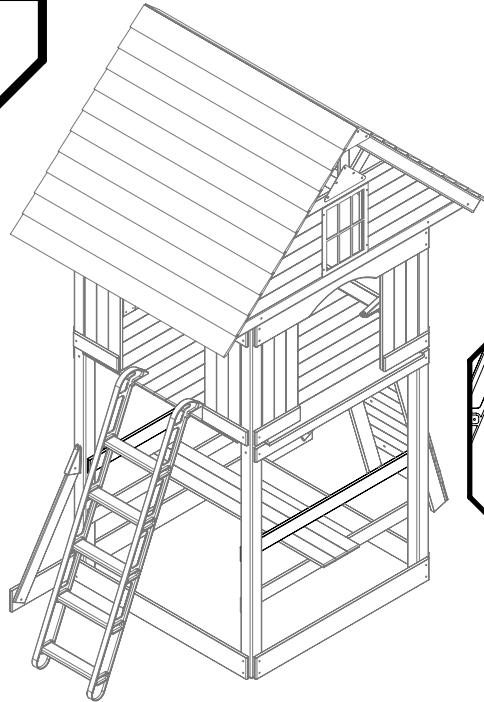
Picnic Table Installation

Items needed for this phase:

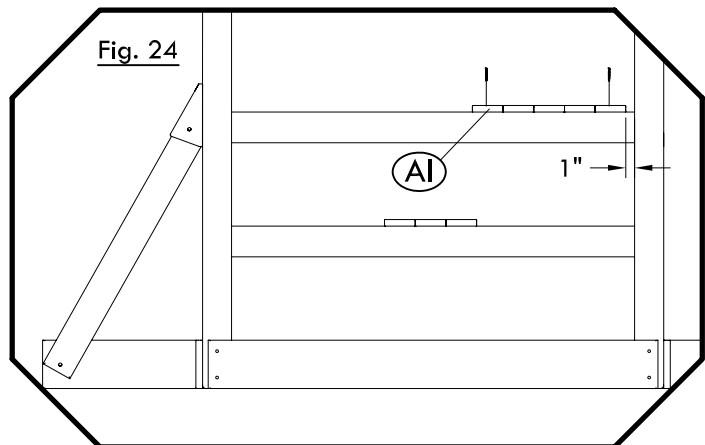
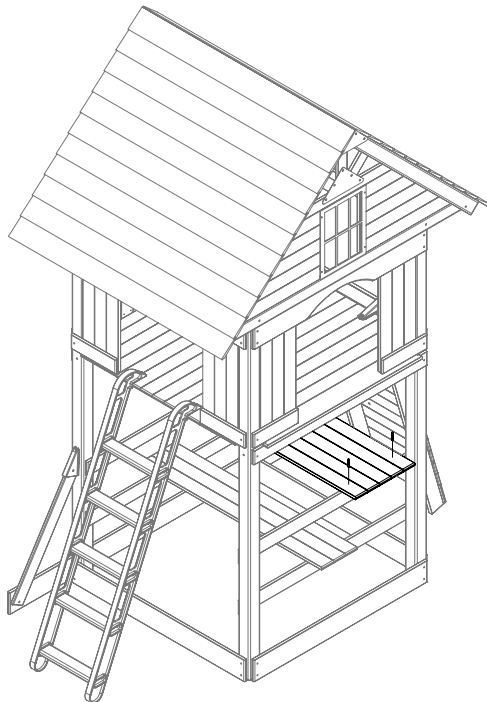
- (1) Picnic Table Panel 'A1'
- (2) Wall Rails 'R'



Step 1: Attach (2) Wall Rails 'R' to the Fort, 28" above the bottom of the uprights with 2" Tapping Screw & Fender Washers as shown in Fig 23.



Step 2: Attach (1) Floor Panel 'A1' to the top of Wall Rails 'R', 1" from the inside edge of the Fort Uprights, with (4) 1 1/2" deck screws as shown.



Phase 17

Hand Grip Installation

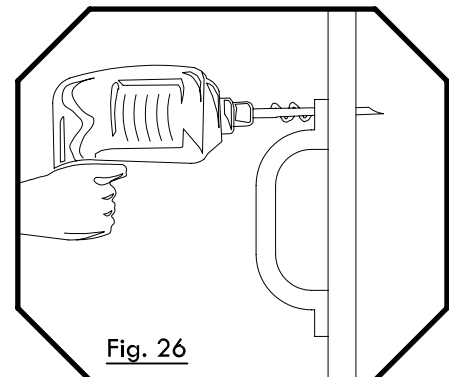
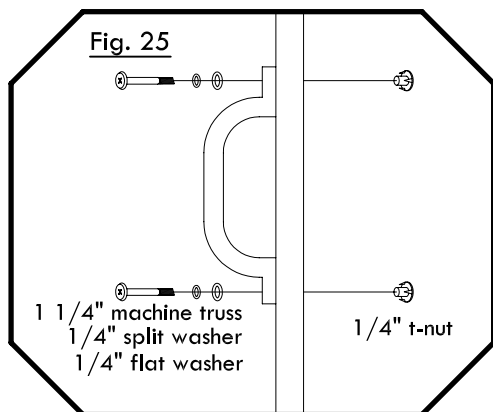
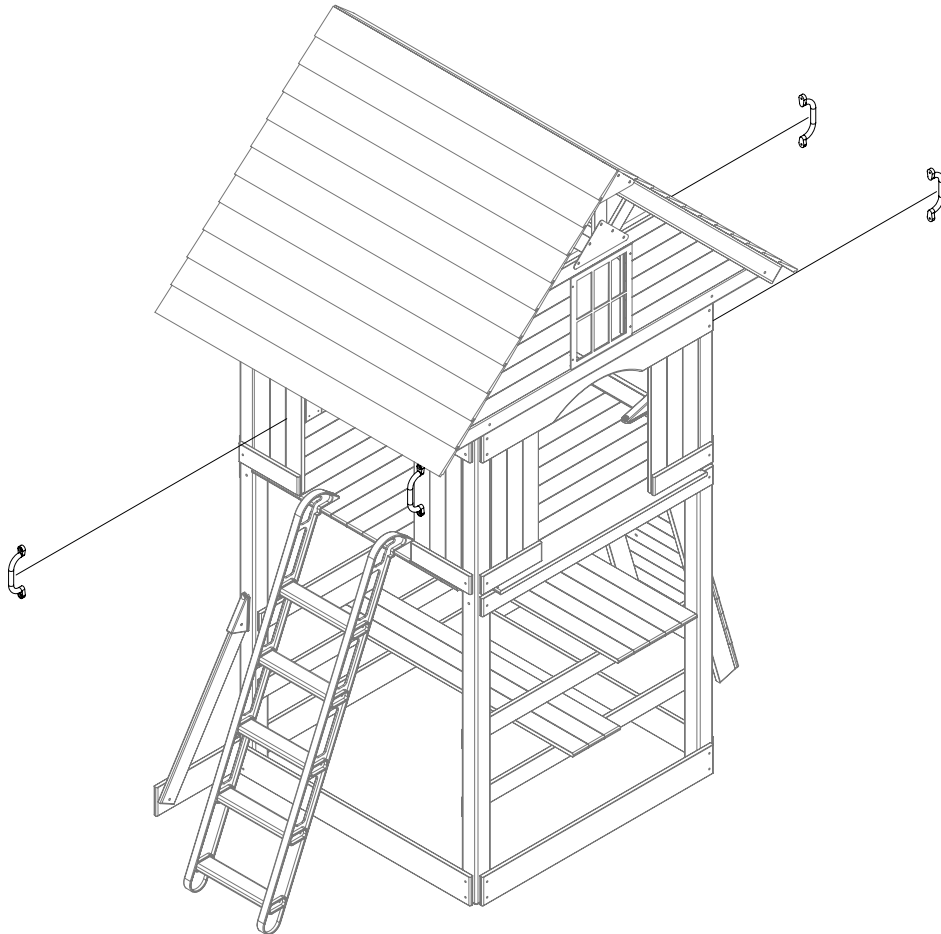
Items needed for this phase:

(4) Hand Grips

HARDWARE USED IN THIS PHASE:	
1	1 1/4" Machine Truss Screw - 8
1	1/4" Split Washer - 8
1	1/4" Flat Washer - 8
1	1/4" T-nut - 8

Step 1: The two Wall Slat on the openings above the deck ladder and rockwall will take hand grips. Center the hand grips on each Wall Slat, and by using the holes in the Grips as a guide, drill 5/16" holes through the Wall Slats. (see Fig. 26)

Step 2: Attach the Hand Grips to the drilled Wall Slats with a 1 1/4" machine truss screw with a 1/4" split washer, and 1/4" flat washers, through the grip and slat and into a 1/4" t-nut on the back of the slat. You must hammer the t-nuts into the drilled holes before inserting the machine truss screw. (see Fig. 25)

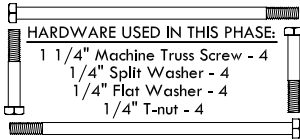


Phase 18

Slide Installation

Items needed for this phase:

(1) Slide



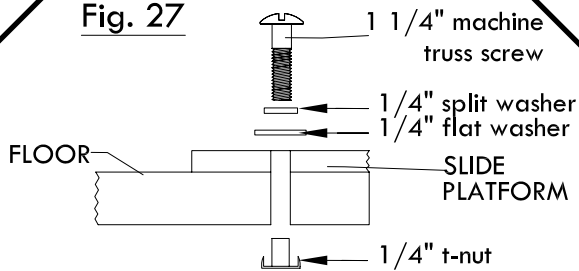
Step 1: Assemble Spiral Slide according to instructions included in Spiral Slide box.

Step 2: Center the slide in the opening opposite the deck ladder.

Step 3: Using a drill with a 5/16" bit, drill a hole through the indentions on the slide and through the fort floor.

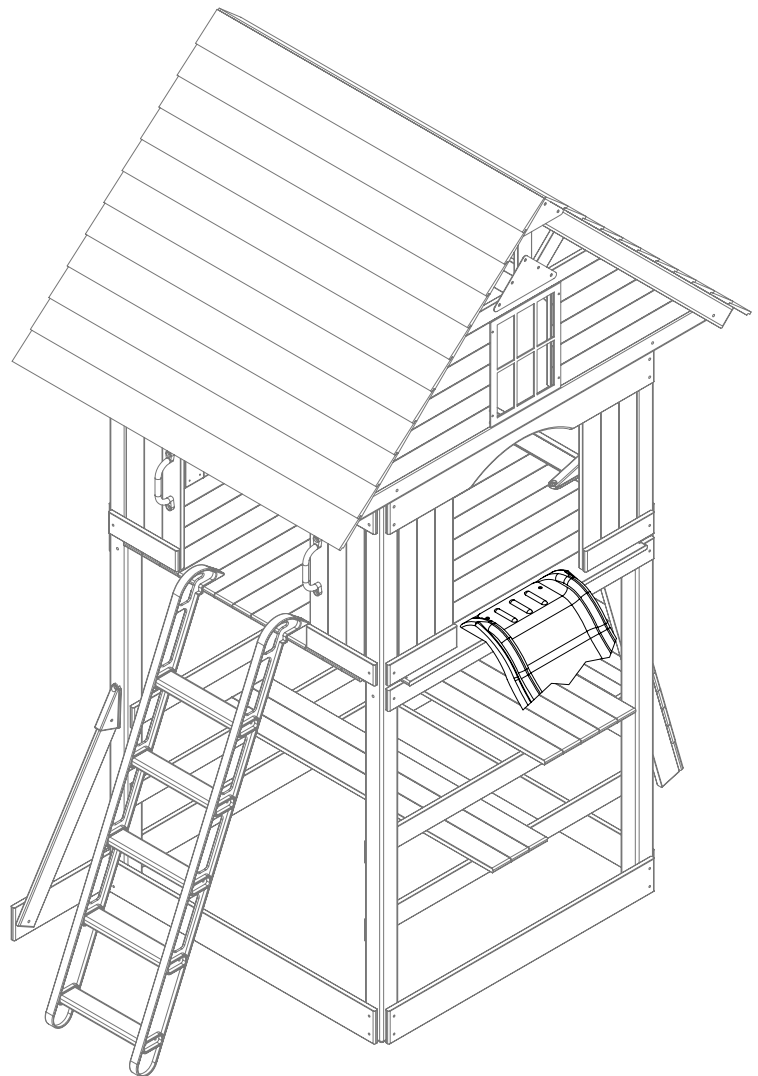
Step 4: Insert a 1/4" T-nut under the floor into drilled hole, and attach slide with (4) 1/4"x1 1/4" Machine truss screw and washers as shown in Fig. 27 below.

Fig. 27



Hammer t-nut in drilled hole from underside of floor. Place (4) 1/4 x 1 1/4" machine truss screw with 1/4" split & flat washer through slide and drilled hole and into t-nut.

Secure with screwdriver.
DO NOT OVER TIGHTEN!




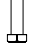





Phase 19

Monkey Bar Setup

Items needed for this phase:

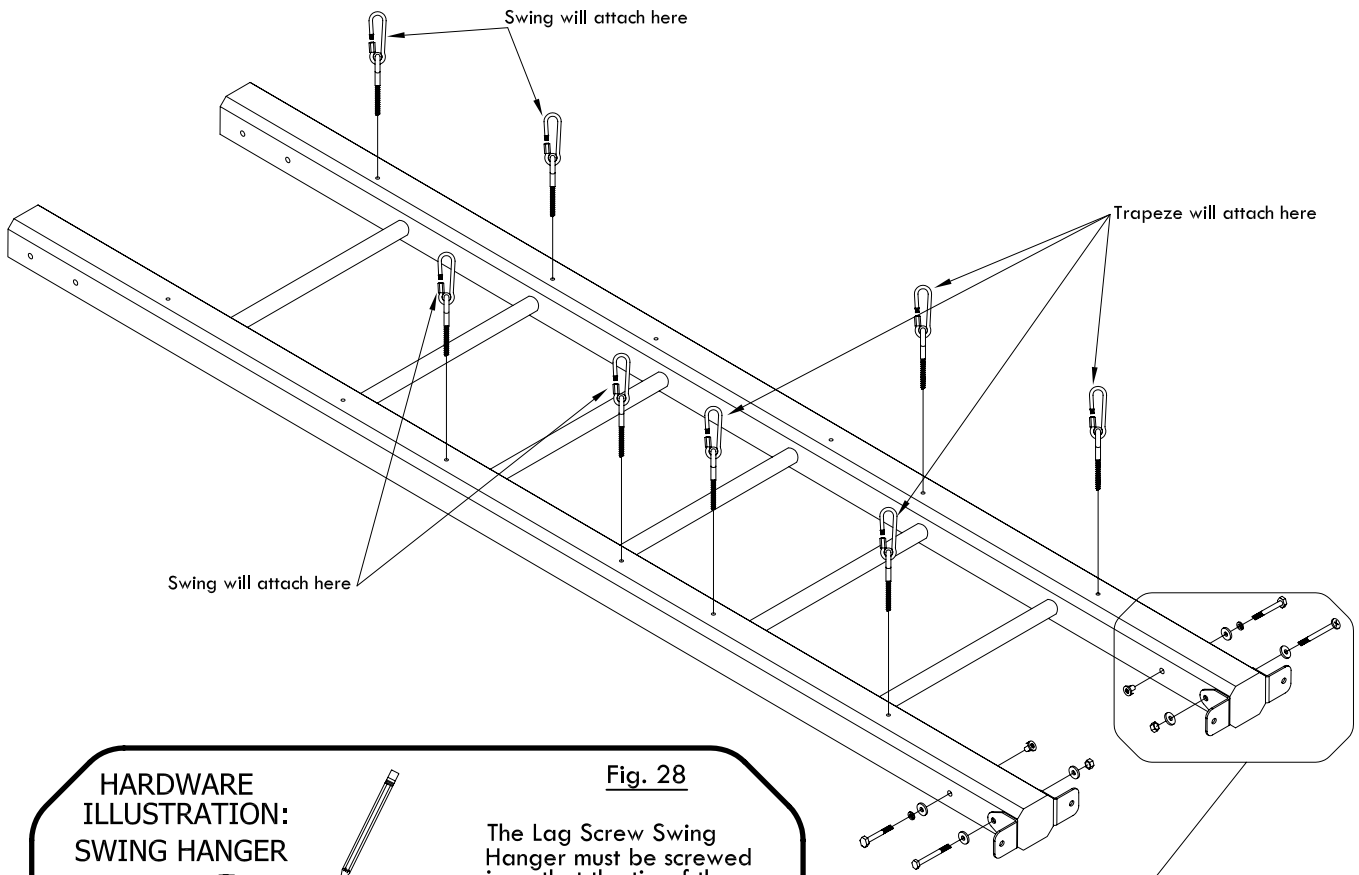
- (1) Monkey Bar Top Ladder 'A'
- (4) L-brackets

HARDWARE USED IN THIS PHASE:	
	4" Hex Bolt - 2
	3 1/4" Hex Bolt - 2
	Fender Washer - 6
	5/16" Split Washer - 2
	5/16" T-nut - 2
	Lock Nut - 2
	Lag Screw Swing Hangers - 8

Step 1: Screw lag screw swing hangers into pilot holes on Monkey Bar Top Ladder in pattern shown below. (Note, for future reference, where each swing activity will attach)

Step 2: Attach (2) L-brackets to the end of each Top Ladder Rail with hardware shown. (see Fig. 29)

Step 3: The hole behind the L-brackets will not be used and will need to be plugged. Do this by inserting a $\frac{5}{16}$ " t-nut into the hole on the inside of the Top Ladder and place a $3\frac{1}{4}$ " hex bolt with a split washer and fender washer into the hole on the outside and into the t-nut and tighten.



HARDWARE ILLUSTRATION: SWING HANGER

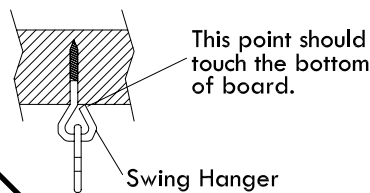


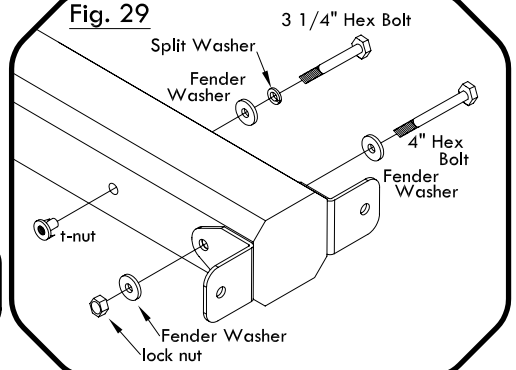
Fig. 28

The Lag Screw Swing Hanger must be screwed in so that the tip of the swing hanger is touching the receiving board.

NOTE: Triangular bend on swing hanger must run parallel with board.

Note: Swing hangers must be installed according to hardware illustration above!

Fig. 29

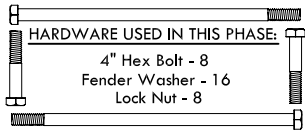


Phase 20

Swing Hanger Installation

Items needed for this phase:

- (1) Monkey Bar Top Ladder 'A'
- (1) Monkey Bar End Ladder 'B'
- (4) Monkey Bar Plates
- Adventure Playsets Sticker



Step 1: Attach Monkey Bar Top Ladder 'A' to Monkey Bar End Ladder 'B' with metal Monkey Bar Plates, on each side of the rails, with the hardware shown in Fig. 30.



Note: Make sure the swing hangers point down when assembling the monkey bar.

Step 2: Peel the backing off of the Adventure Playsets ID Sticker and apply to the outside of the Monkey Bar Top Ladder.

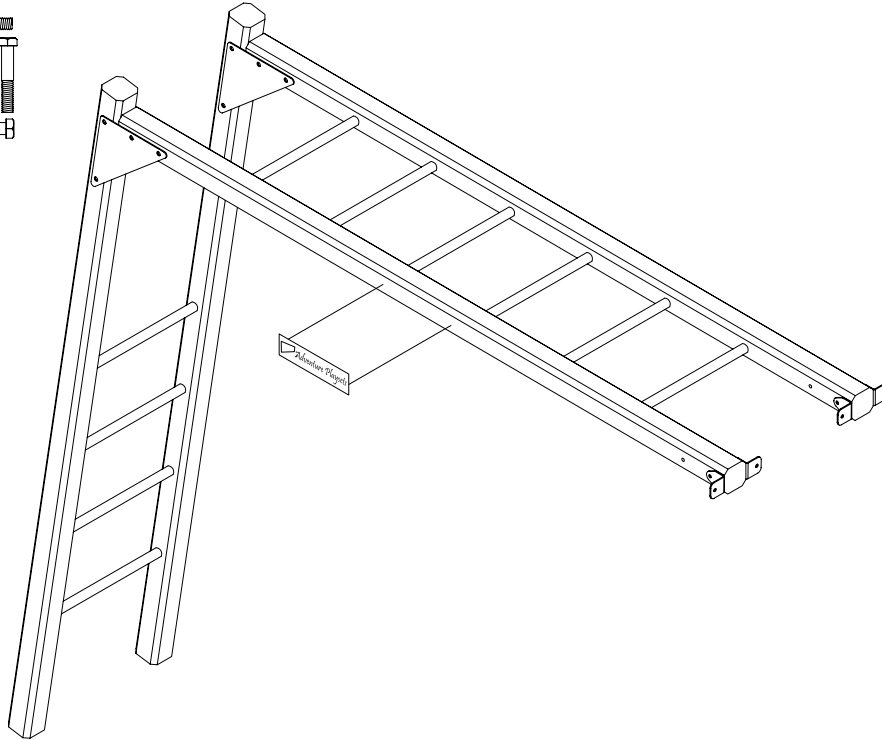
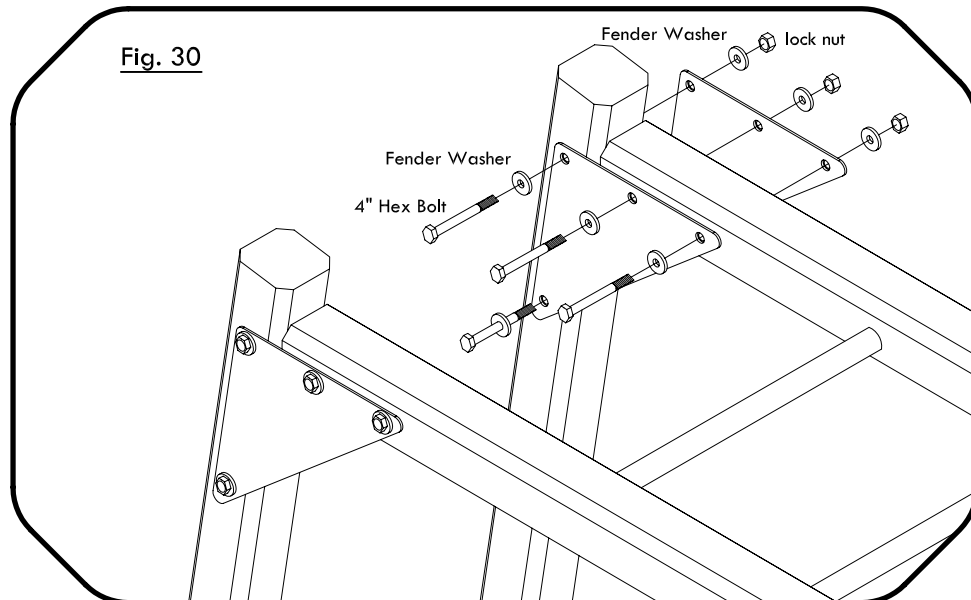


Fig. 30



Phase 21

Monkey Bar Assembly

Items needed for this phase:

- Monkey Bar Assembly
- (2) Angle Braces 'Q'
- (1) Ground Beam 'H'
- (2) Angle Brace Brackets

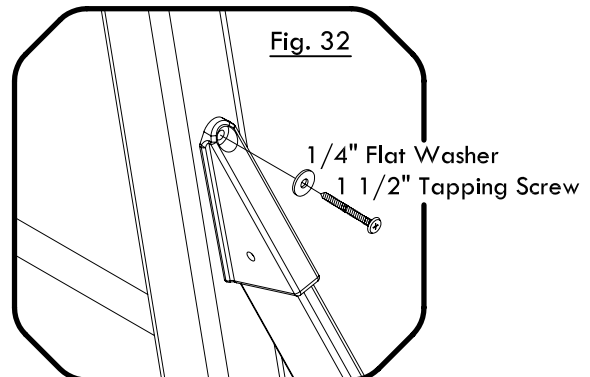
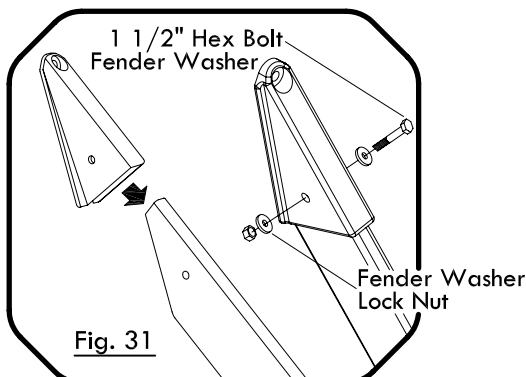
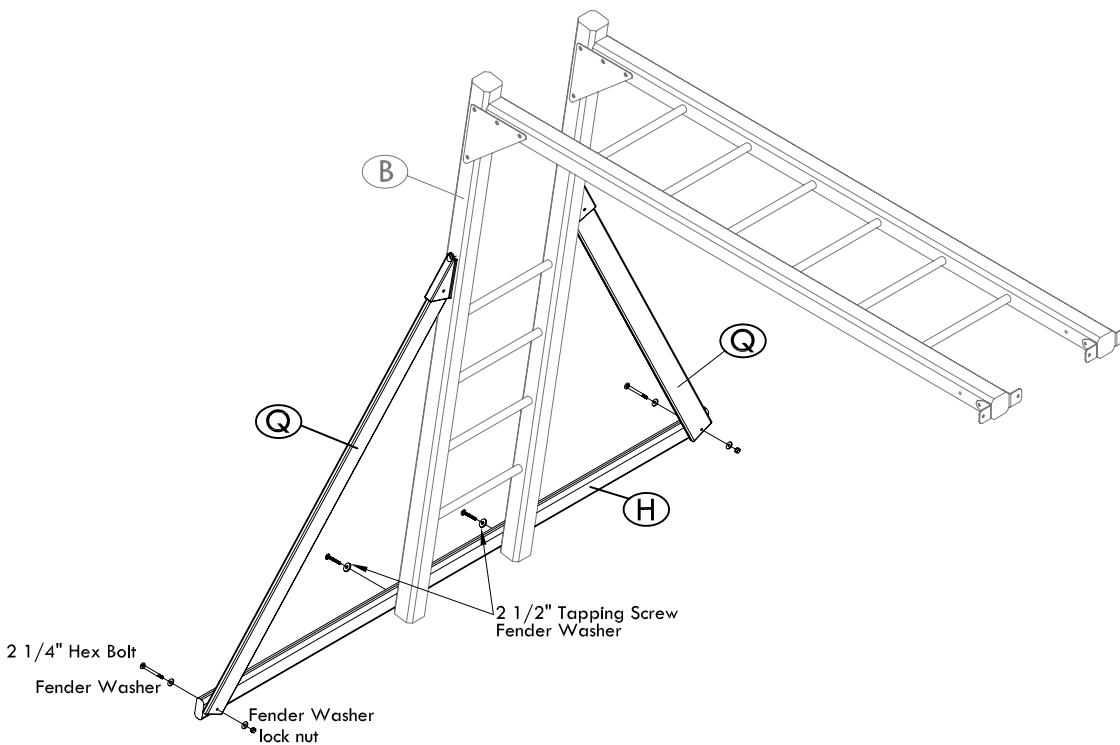
HARDWARE USED IN THIS PHASE:	
2 1/2" Tapping Screw	- 2
2 1/4" Hex Bolt	- 2
1 1/2" Hex Bolt	- 2
1 1/2" Tapping Screw	- 2
Fender Washer	- 10
1/4" Flat Washer	- 2
Lock Nut	- 4

Step 1: Attach Angle Brackets to Monkey Bar Angle Braces 'Q' with 1 1/2" hex bolts, fender washers and lock nuts as shown in Fig. 31.

Step 2: Attach Angle Braces 'Q' to Monkey Bar Ground Beam 'H' with 2 1/4" hex bolt, fender washers and lock nuts as shown.

Step 3: Attach Monkey Bar Ground Beam 'H' to the bottom of the End Ladder 'B' with 2 1/2" tapping screws w/fender washers as shown.

Step 4: Attach Angle Braces 'Q' to End Ladder 'B' with 1 1/2" tapping screws and 1/4" flat washers. (see Fig. 32)

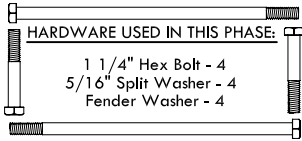


Phase 22

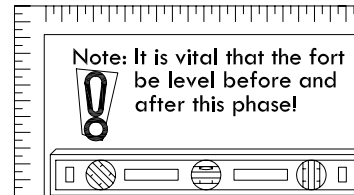
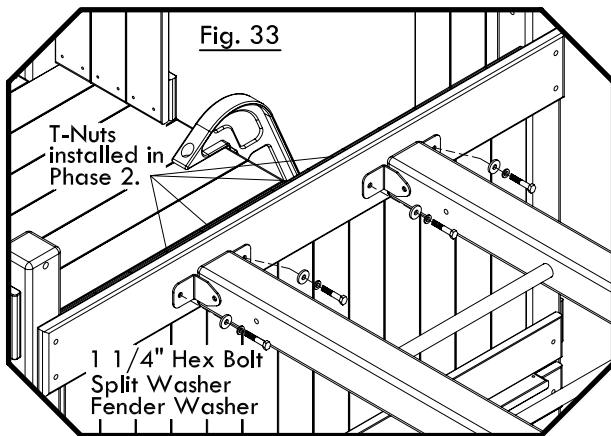
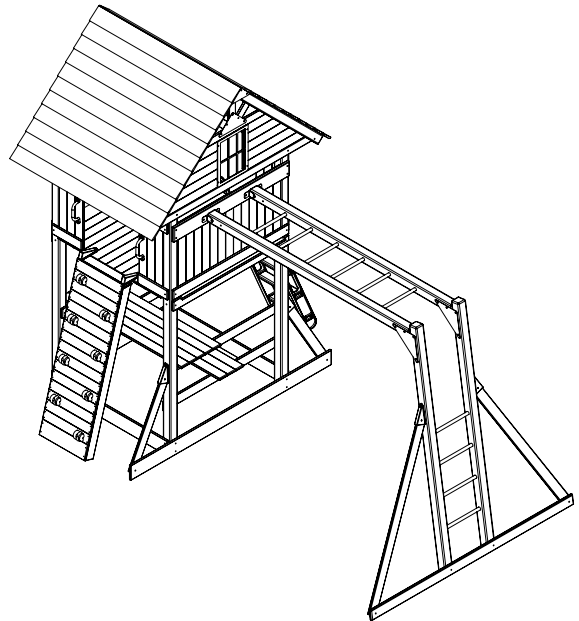
Monkey Bar Attachment

Items needed for this phase:

Monkey Bar Assembly



Step 1: Attach Monkey Bar to Monkey Bar Attachment Rail 'G' with Hardware shown in Fig 33.

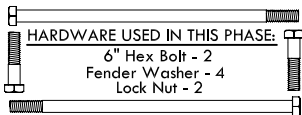


Phase 23

Glider Assembly

Items needed for this phase:

- (2) Glider Arms w/Chain
- (1) Glider Seat
- (2) Swing Assemblies

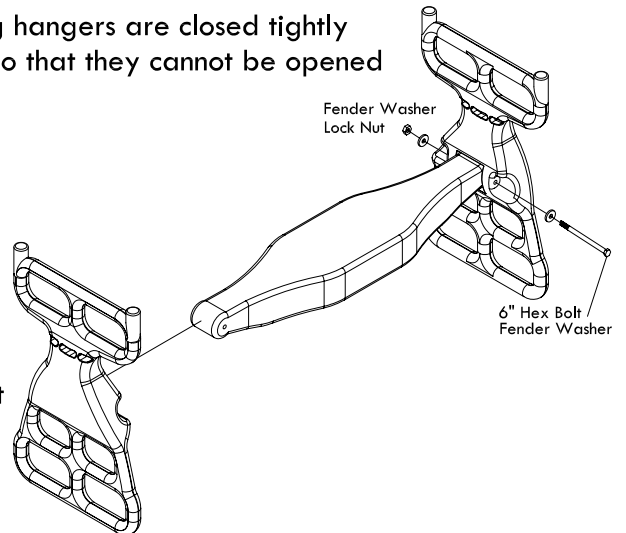


Step 1: Insert glider seat into glider arms & attach with (2) 6" hex bolts, (4) fender washers & (2) lock nuts as shown.

Step 2: After assembly is complete, attach glider assembly to swing hangers located on monkey bar top ladder. (see Phase 11)

Step 3: Attach Swing Assemblies to swing hangers located on monkey bar top ladder as shown above.

Note: Make sure swing hangers are closed tightly with a wrench, so that they cannot be opened by hand.



Note: You may need to adjust the height of the glider and swings with the chain so that the glider is at least 8" off the ground.



Phase 24

Trapeze Assembly

Items needed for this phase:

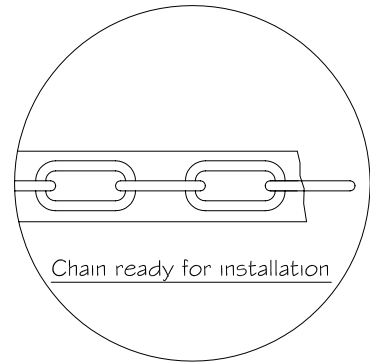
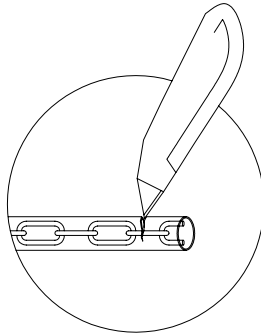
All Swing Chain

Step 1: Inspect all ends of your chain. If at least half of the last link is not exposed, trimming will be needed.

1a: Carefully trim plastic with scissors or knife to expose half of the last link as shown.

1b: Remove partial link and discard.

1c: Do this to ends of all chain.

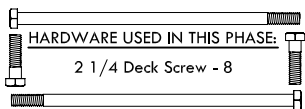


Phase 25

Anchoring Instructions

Items needed for this phase:

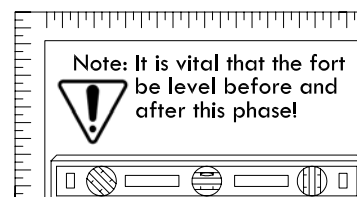
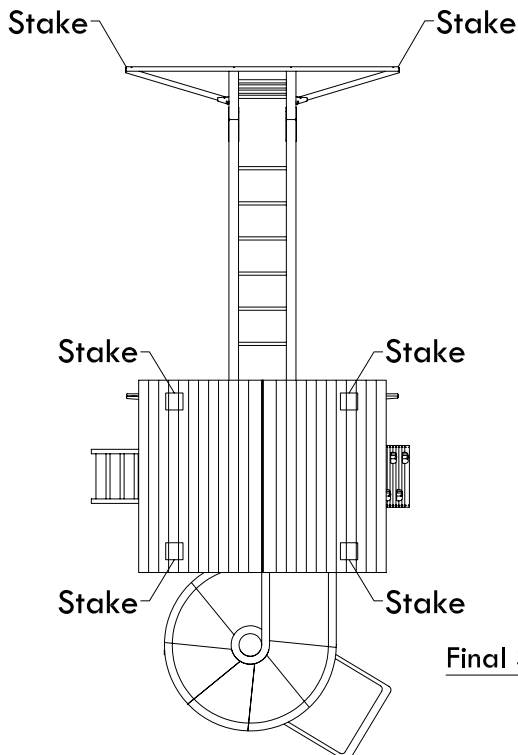
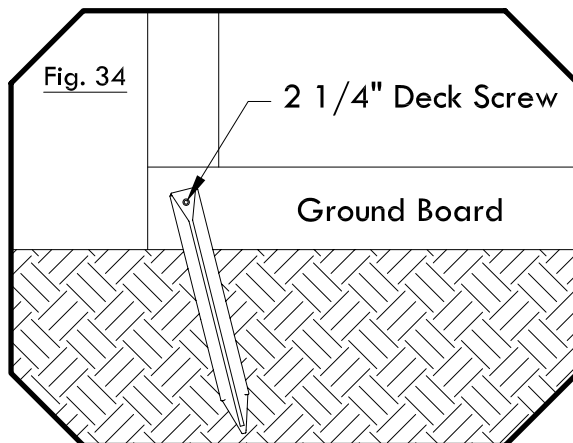
(6) Anchoring Stakes



HARDWARE USED IN THIS PHASE:

2 1/4 Deck Screw - 8

Step 1: Drive Stakes into ground against boards where shown below and attach with (1) 2 1/4" deck screw each as shown in Fig. 34.



Final Step: Double check and make sure every bolt, screw and nut is tight. Make sure every board is secure. Make sure the fort is level and enjoy your playset.

Frequently Asked Questions

Below are some general questions asked by customers. Some may not apply to the playset you purchased, but others may answer some of the questions you may have about your playset.

Q: What size of play area do you recommend around the playset so my child may play safe?

A: We recommend at least a six-foot play perimeter around the playset.

Q: My swing set seems to sway or rock too much. What is wrong?

A: Rocking is caused by uneven ground or obstructions such as rocks, roots, etc. under the ground rails. These obstructions should be removed and the ground underneath leveled to prevent rocking. If the fort itself is moving, it is usually caused because the fort is not staked down. Staking is required and will stop most of the movement.

Q: The end ladder is not straight up and down. What is wrong?

A: Nothing is wrong. The end ladder does not form a 90° angle. It has an angle to it.

Q: The S-hooks for my swings won't close. What is wrong?

A: The S-hook must be on a solid foundation when trying to close. It takes quite a few strokes, but the S-hook will close.

Q: The top ladder does not have holes for the swing hanger lags. Why not?

A: The top ladder is probably installed upside-down.

Q: My wood appears to be cracking. Is that a problem?

A: No, expansion and contraction of wood due to weather changes will cause slight cracking (technically called checking) and distortion. These are natural characteristics of wood and do not affect the structural integrity of the playset.

Q: My 2x4 boards do not measure 2"x4". Why not?

A: It has been common practice in the U.S. to use the rough-cut dimension from a sawmill to describe the width and height of a particular piece of lumber. Many retailers, designers, contractors and manufactures utilize this description with a common and accepted knowledge that the actual size will vary from this description. Our sets are designed using the actual dimension. This ensures the sets will be assembled properly and be safe for the recommended use.

Q: How often should I re-stain my playset and what should I use?

A: The playset should be checked at least once a year depending on the weather. Lightly sand any rough areas and re-stain the set with a waterborne transparent stain.

Limited Warranty

Adventure Playsets Inc. insures to the original owner of our product, that the components of our set are free from defect in materials and will be warranted for one year from the date of purchase. In addition, all wooden components will be warranted against rot or insect damage for 12 Years to the original owner. All non-wood components will carry a one-year warranty only.

All defective parts that are discovered and reported in the first thirty days after purchase will be replaced at no charge to the registered customer. After thirty days of purchase shipping and handling charges for replacement warranty parts will be passed on to the consumer.

All returned goods must be approved by our customer service department. We will not accept any goods without an authorization code. Our customer service department will give out all codes. Failure to supply authorization code with shipment will void all said warranty. Our customer service department can be reached at 1-800-856-4445.

This Limited Warranty does not cover the following:

- ❑ The cost of labor required to re-install or disassemble the defective component.
- ❑ The cost of air freight
- ❑ The cost of freight after the initial 30 days from purchase.
- ❑ Cosmetic defects that do not affect the structural integrity of the play center.
- ❑ Any abnormal conditions such as vandalism, improper installation, misuse or abuse, or improper maintenance.
- ❑ Damage done by nature such as wind, lightning, severe weather, etc...
- ❑ Natural defects of wood such as warping checking or any other physical properties of wood that do not present a hazard.
- ❑ Damage done to the set caused by failure to follow maintenance instructions. (refer to page 7)
- ❑ Floor models, Display Units, Clearance Items or any other unit purchased from another individual making you the 2nd owner, are not covered by the limited warranty.

Adventure Playsets products have been carefully designed to insure your child's safety. Any modifications to your playsystem could result in serious injury as well as void all warranties.

Our playsets are designed for Residential use only, for children between the ages of 3 and 10. Commercial use such as nurseries (including home/residential childcare), parks or schools, voids all warranties and liabilities.

Warranty claim procedure

If you are confident that your playsystem has been installed and maintained properly, and you have a warranty claim, proceed with the following steps:

1. We will need copy of your proof of purchase (Vendor sales receipt only.)
2. We require a brief written description of the warranty issue.
3. Photos of warranted parts and of the entire play system.

If **any** of the above steps are not completed, there may be delays in the completion of your claim, or possibly warranty cancellation.

Mail information to:

**Adventure Playsets
14201 I-27
Amarillo, Texas
79119**

or email at

custservice@adventureplaysets.com

Our customer service department will review the claim and make contact with the customer by mail or by phone. The customer will only pay for shipping and handling to and from factory if warranty is approved.

1-800-856-4445

Service department hours Monday thru Friday 9am to 5pm

Saturday 9am to 2pm (During Season)

Central standard time

Customer Registration Card

Name: _____

Address: _____

City: _____ State: _____ Zip: _____

Home Phone: _____

Date of Purchase: _____ Date Stamped on Box: _____

Vendor Name: _____

City: _____ State: _____ Zip: _____

Unit Model: 1-AP044-07 Unit Name: The Country Cottage - 2007

Please check the boxes below:

How old are you?

18-30 31-43 44-56 Older than 56

How would you rate the quality of our product?

Above Average Average Fair Poor

How would you rate the ease of assembly of our product?

Above Average Average Fair Poor

How would you rate our instructions?

Above Average Average Fair Poor

Would you recommend our product to friends & family?

Yes No

How old are your children?

3-4 5-6 7-8 9-10

Where did you hear about us?

Friend Store Display Advertisement Internet

Comments: _____



Customer Registration Card

**Do not forget to send in your registration card to the factory.
This card will validate your time of purchase for warranty items.**

Fold here

**Place
stamp
here**

**Adventure Playsets
14201 I-27
Amarillo Texas, 79119**